



9th Asian Lawn Bowls Championship 2012



7TH ASIA UNDER 25 SINGLES 2012
BUKIT KIARA LAWN BOWLS COMPLEX
KUALA LUMPUR



6 - 11 April 2012

OFFICIAL RESULTS



OVERALL RESULTS

9th Asian Lawn Bowls Championship 2012

Team Overall Result Summary

Men's Teams

Country	Ranking in Discipline				Team Points Awarded				Total Points
	Singles	Fours	Pairs	Triples	Singles	Fours	Pairs	Triples	
Philippines	2	1	1	2	13	15	15	13	56
Malaysia	3	2	3	3	11	13	11	11	46
Hong Kong	5	3	3	3	8	11	11	11	41
India	1	5	5	5	15	8	8	8	39
Thailand	9	3	5	1	4	11	8	15	38
China	3	10	2	8	11	3	13	5	32
Brunei	7	5	9	5	6	8	4	8	26
Japan	5	7	8	9	8	6	5	4	23
Singapore	8	8	7	7	5	5	6	6	22
UAE	10	9	10	12	3	4	3	1	11
Pakistan	11	12	11	10	2	1	2	3	8
Sri Lanka	12	11	12	11	1	2	1	2	6

Men's Overall Trophy Champion : **PHILIPPINES**

Women's Teams

Country	Ranking in Discipline				Team Points Awarded				Total Points
	Singles	Fours	Pairs	Triples	Singles	Fours	Pairs	Triples	
Malaysia	1	2	1	3	14	12	14	10	50
Philippines	2	7	3	1	12	5	10	14	41
Hong Kong	3	1	3	5	10	14	10	7	41
India	7	3	2	2	5	10	12	12	39
Thailand	8	3	5	3	4	10	7	10	31
China	3	5	5	7	10	7	7	5	29
Singapore	5	5	7	5	7	7	5	7	26
Japan	5	9	8	8	7	3	4	4	18
Brunei	9	8	9	9	3	4	3	3	13
Sri Lanka	11	10	10	10	1	2	2	2	7
Pakistan	10	11	11	11	2	1	1	1	5

Womens' Overall Trophy Champion : **MALAYSIA**

MEDAL TALLY

9th Asian Lawn Bowls Championships 2012

Bukit Kiara, Kuala Lumpur

6 - 11 April 2012

MEDAL TALLY

COUNTRY	MSIN			MPAI			MTRI			MFOU			WSIN			WPAI			WTRI			WFOU			MEDAL TALLY			TOTAL			
	G	S	B	G	S	B	G	S	B	G	S	B	G	S	B	G	S	B	G	S	B	G	S	B	G	S	B		GOLD	SILVER	BRONZE
Philippines		1		1				1		1				1				1	1									3	3	1	7
Malaysia			1			1			1		1			1				1			1		1					2	2	4	8
India	1																1			1				1	1	2	1	4			
Hong Kong						1			1			1			1			1				1						1		5	6
Thailand							1					1									1			1	1			1		3	4
China			1		1										1											1	2	3			
Brunei																															
Japan																															
Singapore																															
Sri Lanka																															
UAE																															
Pakistan																															

1 1 2 1 1 2 1 1 2 1 1 2 1 1 2 1 1 2 1 1 2 1 1 2 8 8 16 32

	GOLD	SILVER	BRONZE
Philippines	3	3	1
Malaysia	2	2	4
India	1	2	1
Hong Kong	1	0	5
Thailand	1	0	3
China	0	1	2

DISCIPLINES
RESULTS



9th Asian Lawn Bowls Championships 2012

7th Asian Singles Under 25
Bukit Kiara, Kuala Lumpur

6 - 11 April 2012

DISCIPLINES RESULTS



MEN SINGLES

POSITION	TEAM	NAME
1 st	INDIA	Sunil Bahadur
2 nd	PHILIPPINES	Hommer Mercado
3 rd	MALAYSIA	Safuan Said
4 th	CHINA	Terence Lee

MEN FOURS

POSITION	TEAM	NAME
1st	PHILIPPINES	Angelo Morales
		Christopher Dagpin
		Ronald Lising
		Edman Portacio
2nd	MALAYSIA	Fairul Izwan Abd Muin
		Mohammad Soufi Rusli
		Muhammad Azwan Shuhami
		Khairul Anwar Abd Kadir
3rd	HONG KONG	Li Ming Sum
		Lee Ka Ho
		Wilson Kwong
		Bernard Leung
4th	THAILAND	Tanongsak Klinsorn
		Thakrit Thamasarn
		Anan Naksaray
		Uthen Ontong



9th Asian Lawn Bowls Championships 2012

7th Asian Singles Under 25
Bukit Kiara, Kuala Lumpur
6 - 11 April 2012

DISCIPLINES RESULTS



WOMEN PAIRS

POSITION	TEAM	NAME
1st	MALAYSIA	Emma Firyana Saroji
		Maisarah Aminludin
2nd	INDIA	Kavita Kumari
		Manu Kumari Pal
3rd	PHILIPPINES	Rosita Bradborn
		Lorna 'Joy' Tordoff
4th	HONG KONG	Camilla Leung
		Joanna Nam

WOMEN TRIPLES

POSITION	TEAM	NAME
1st	PHILIPPINES	Marites 'Jaz' Rosas
		Hazel Jagonoy
		Nancy Brekinrege
2nd	INDIA	Lovely Choubey
		Pinki
		Farzana Khan
3rd	MALAYSIA	Azlina Arshad
		Zuraini Khalid
		Auni Fatiah Kamis
4th	THAILAND	Kesanee Wangsaopa
		Chamiporn Kotchawong
		Pinthong Pearce



9th Asian Lawn Bowls Championships 2012

7th Asian Singles Under 25
Bukit Kiara, Kuala Lumpur
6 - 11 April 2012

DISCIPLINES RESULTS



MEN PAIRS

POSITION	TEAM	NAME
1st	PHILIPPINES	Hommer Mercado
		Christopher Dagpin
2nd	CHINA	Jacky Wong
		Ye Sui Ying
3rd	MALAYSIA	Safuan Said
		Fairul Izwan Abd Muin
4th	HONG KONG	Danny Ho
		Li Ming Sum

MEN TRIPLES

POSITION	TEAM	NAME
1st	THAILAND	Tanongsak Klinsorn
		Vinai Nilklum
		Thakrit Thamasarn
2nd	PHILIPPINES	Angelo Morales
		Ronald Lising
		Edman Portacio
3rd	HONG KONG	Lee Ka Ho
		Wilson Kwong
		Bernard Leung
4th	MALAYSIA	Mohammad Soufi Rusli
		Muhammad Azwan Shuhami
		Khairul Anwar Abd Kadir



9th Asian Lawn Bowls Championships 2012

7th Asian Singles Under 25
Bukit Kiara, Kuala Lumpur

6 - 11 April 2012

DISCIPLINES RESULTS



WOMEN SINGLES

POSITION	TEAM	NAME
1 st	MALAYSIA	Emma Firyana Saroji
2 nd	PHILIPPINES	Rosita Bradborn
3 rd	HONG KONG	Camilla Leung
4 th	CHINA	Yu Xiao Yan

WOMEN FOURS

POSITION	TEAM	NAME
1st	HONG KONG	Joanna Nam
		Alice Lee
		Jessie So
		Tammy Tham
2nd	MALAYSIA	Maisarah Aminludin
		Azlina Arshad
		Zuraini Khalid
		Auni Fatiah Kamis
3rd	INDIA	Pinki
		Farzana Khan
		Kavita Kumari
		Manu Kumari Pal
4th	THAILAND	Thong Omen
		Orawan Sodok
		Chamiporn Kotchawong
		Pinthong Pearce

2ND ROUND



Medal Competition
9th Asian Lawn Bowls Championships 2012
MEN SINGLES SECTION
 Bukit Kiara, Kuala Lumpur
 6 - 11 April 2012

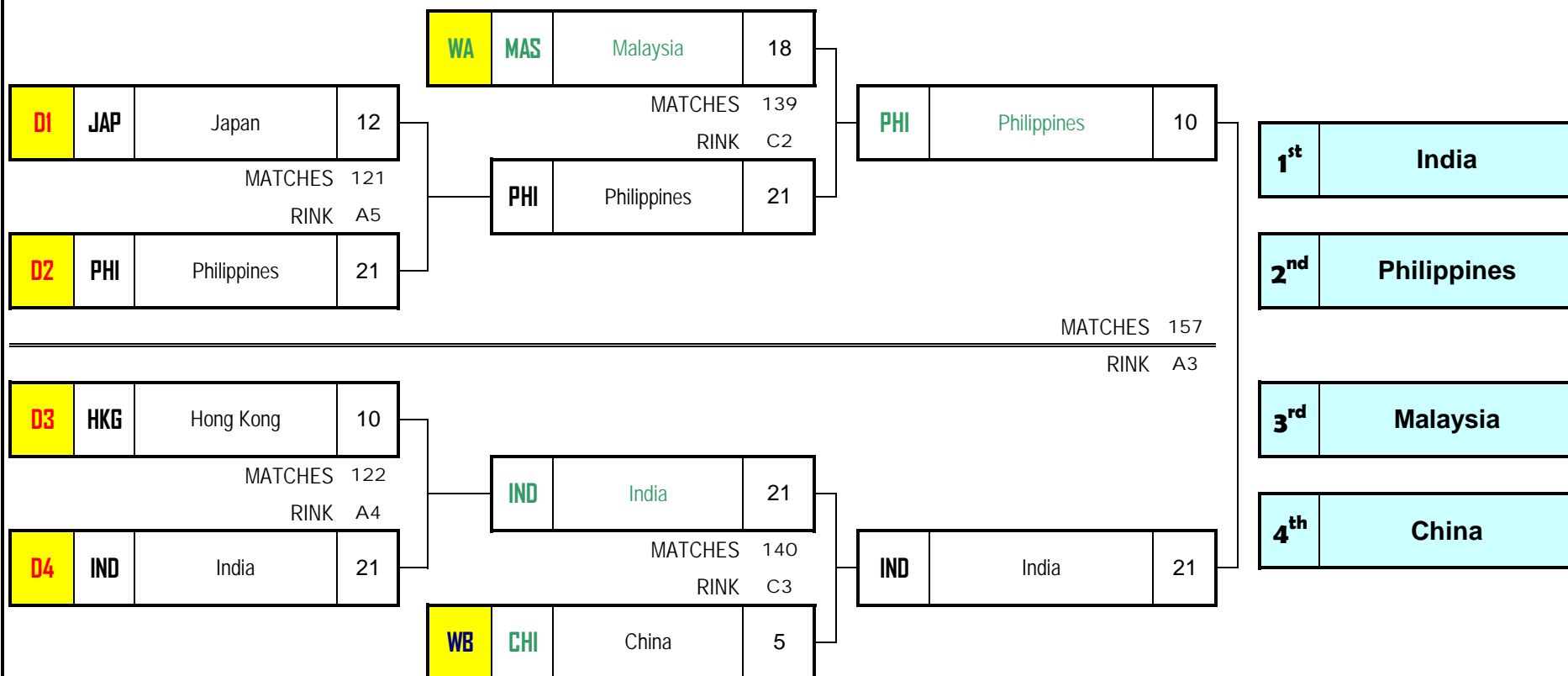


Semi Final Play Off
8 Apr @ 9.30 am

Semi Final
8 Apr @ 1.00 pm

FINAL
8 Apr @ 3.30 pm

CHAMPIONS





Medal Competition
9th Asian Lawn Bowls Championships 2012
MEN FOURS SECTION
 Bukit Kiara, Kuala Lumpur
 6 - 11 April 2012

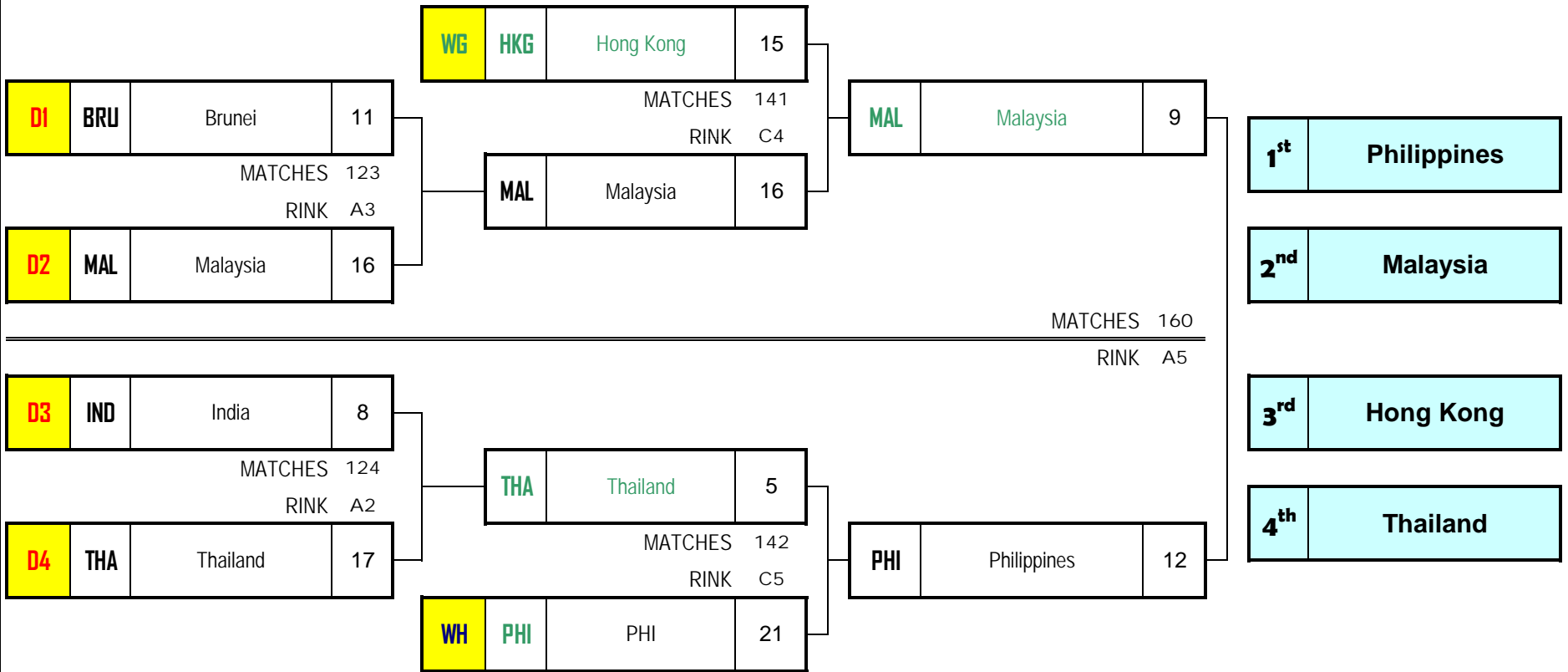


Semi Final Play Off
8 Apr @ 9.30 am

Semi Final
8 Apr @ 1.00 pm

FINAL
8 Apr @ 3.30 pm

CHAMPIONS





Medal Competition
9th Asian Lawn Bowls Championships 2012
WOMEN PAIRS SECTION
 Bukit Kiara, Kuala Lumpur
 6 - 11 April 2012

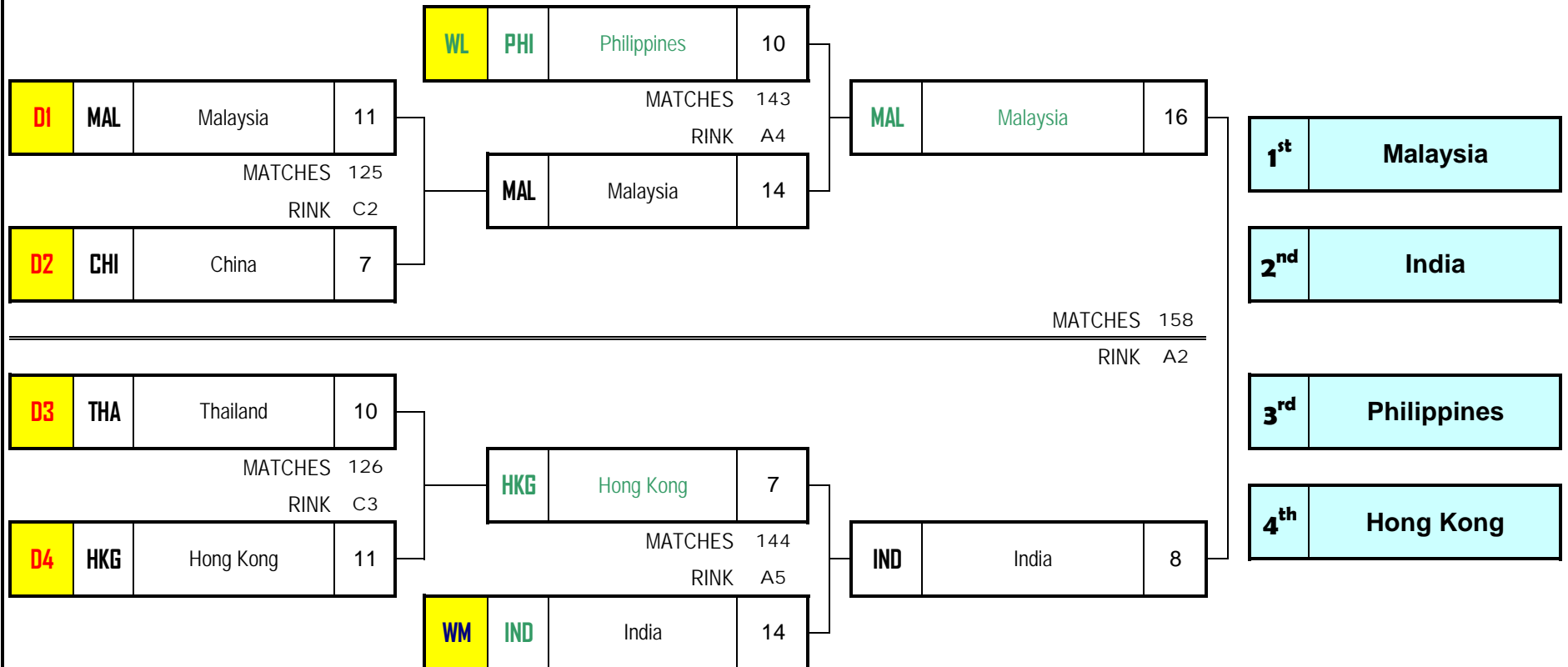


Semi Final Play Off
 8 Apr @ 9.30 am

Semi Final
 8 Apr @ 1.00 pm

FINAL
 8 Apr @ 3.30 pm

CHAMPIONS





Medal Competition
9th Asian Lawn Bowls Championships 2012
WOMEN TRIPLES SECTION
 Bukit Kiara, Kuala Lumpur
 6 - 11 April 2012

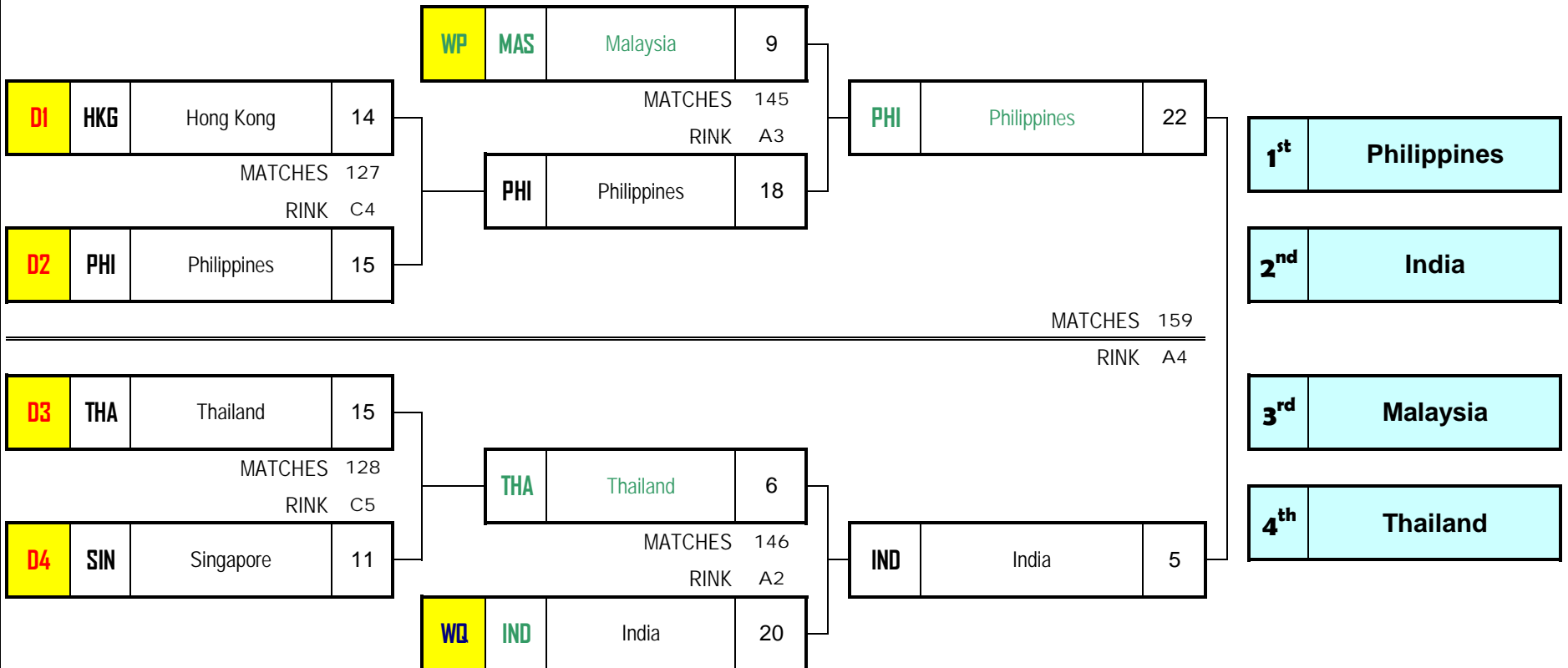


Semi Final Play Off
 8 Apr @ 9.30 am

Semi Final
 8 Apr @ 1.00 pm

FINAL
 8 Apr @ 3.30 pm

CHAMPIONS





Medal Competition
9th Asian Lawn Bowls Championships 2012
MEN PAIRS SECTION
 Bukit Kiara, Kuala Lumpur
 6 - 11 April 2012

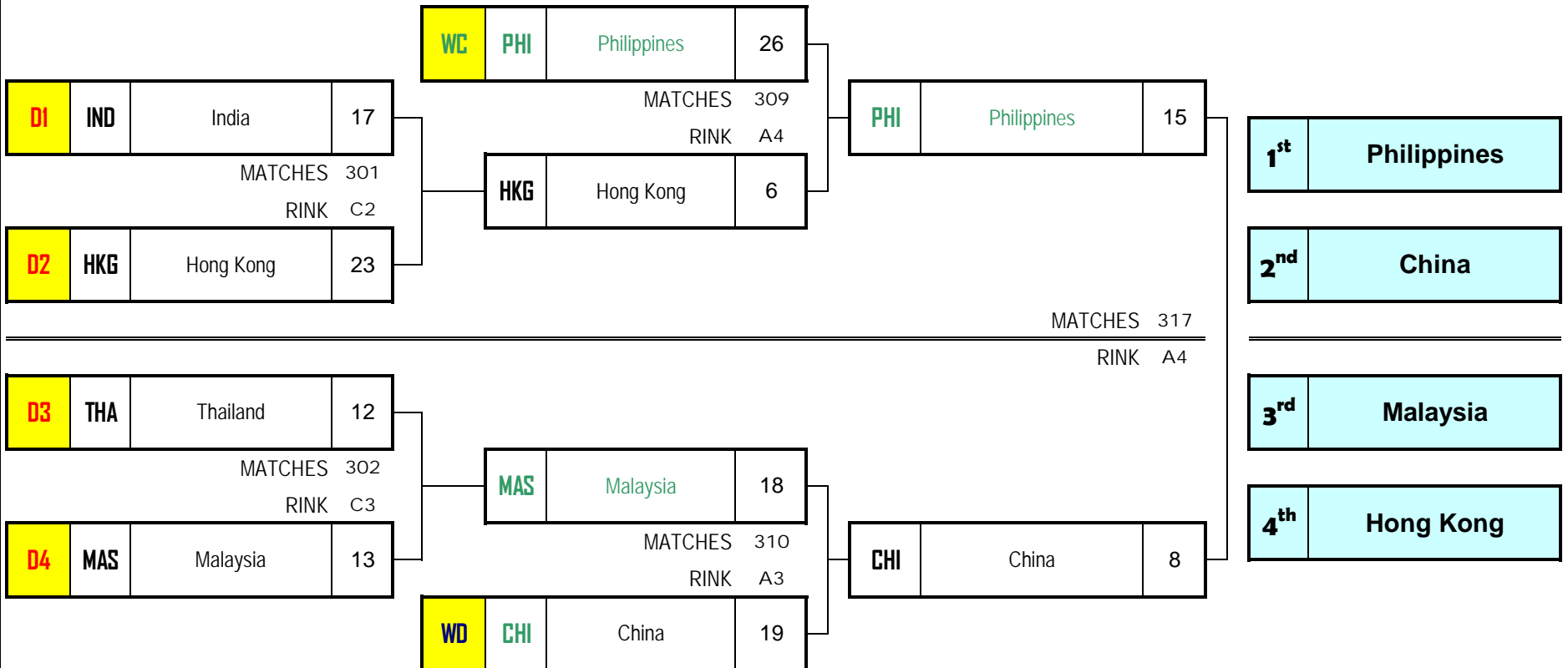


Semi Final Play Off
 10 Apr @ 3.30 am

Semi Final
 11 Apr @ 9.30 am

FINAL
 11 Apr @ 2.00 pm

CHAMPIONS





Medal Competition
9th Asian Lawn Bowls Championships 2012
MEN TRIPLES SECTION
 Bukit Kiara, Kuala Lumpur
 6 - 11 April 2012

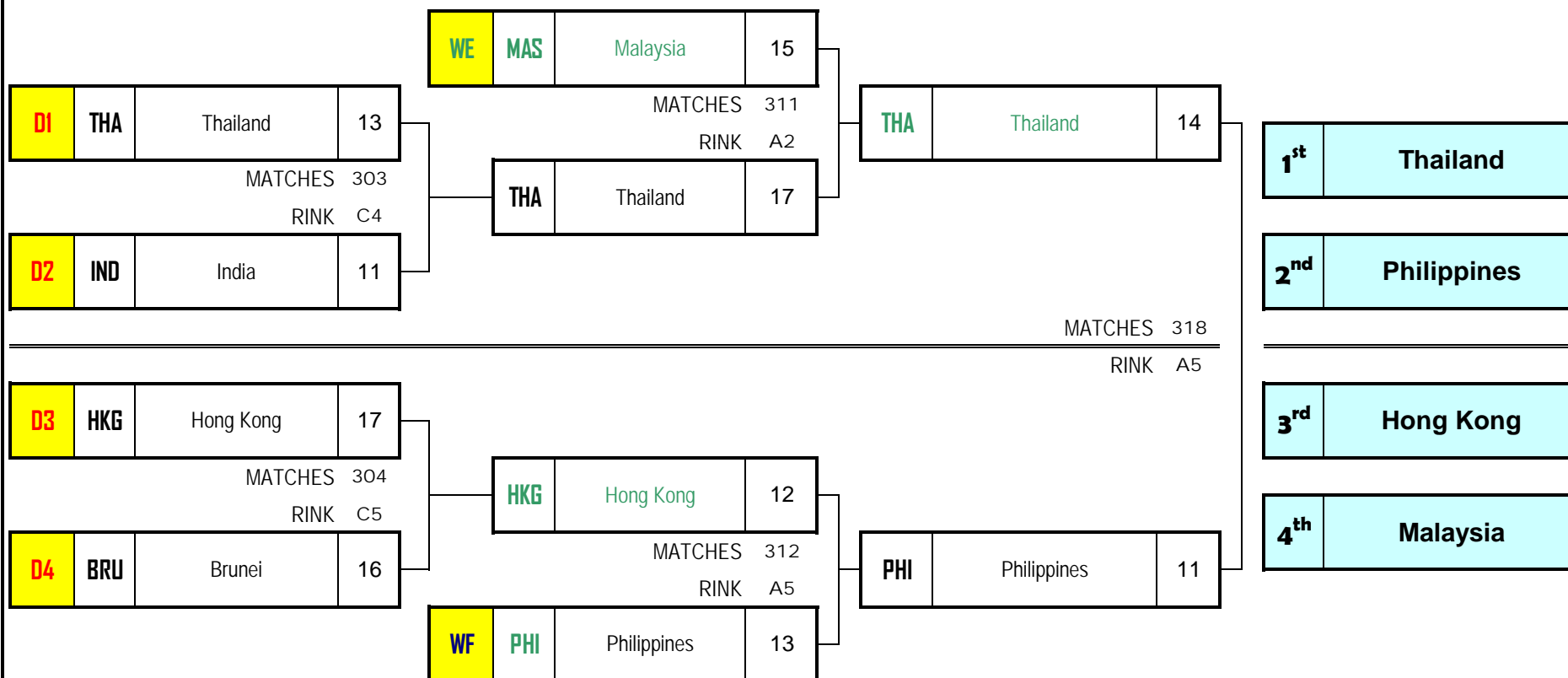


Semi Final Play Off
 10 Apr @ 3.30 am

Semi Final
 11 Apr @ 9.30 am

FINAL
 11 Apr @ 2.00 pm

CHAMPIONS





Medal Competition
9th Asian Lawn Bowls Championships 2012
WOMEN SINGLES SECTION
 Bukit Kiara, Kuala Lumpur
 6 - 11 April 2012

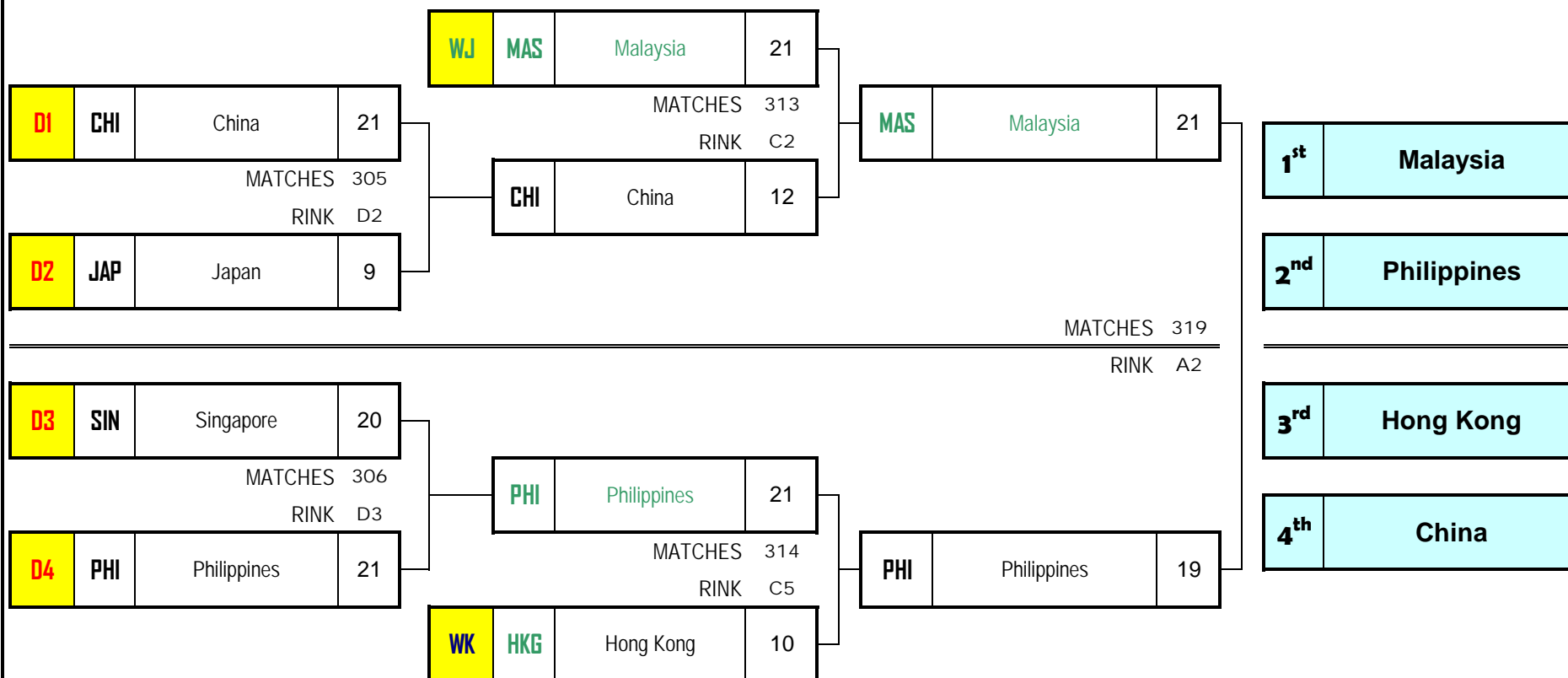


Semi Final Play Off
 10 Apr @ 3.30 am

Semi Final
 11 Apr @ 9.30 am

FINAL
 11 Apr @ 2.00 pm

CHAMPIONS





Medal Competition
9th Asian Lawn Bowls Championships 2012
WOMEN FOURS SECTION
 Bukit Kiara, Kuala Lumpur
 6 - 11 April 2012

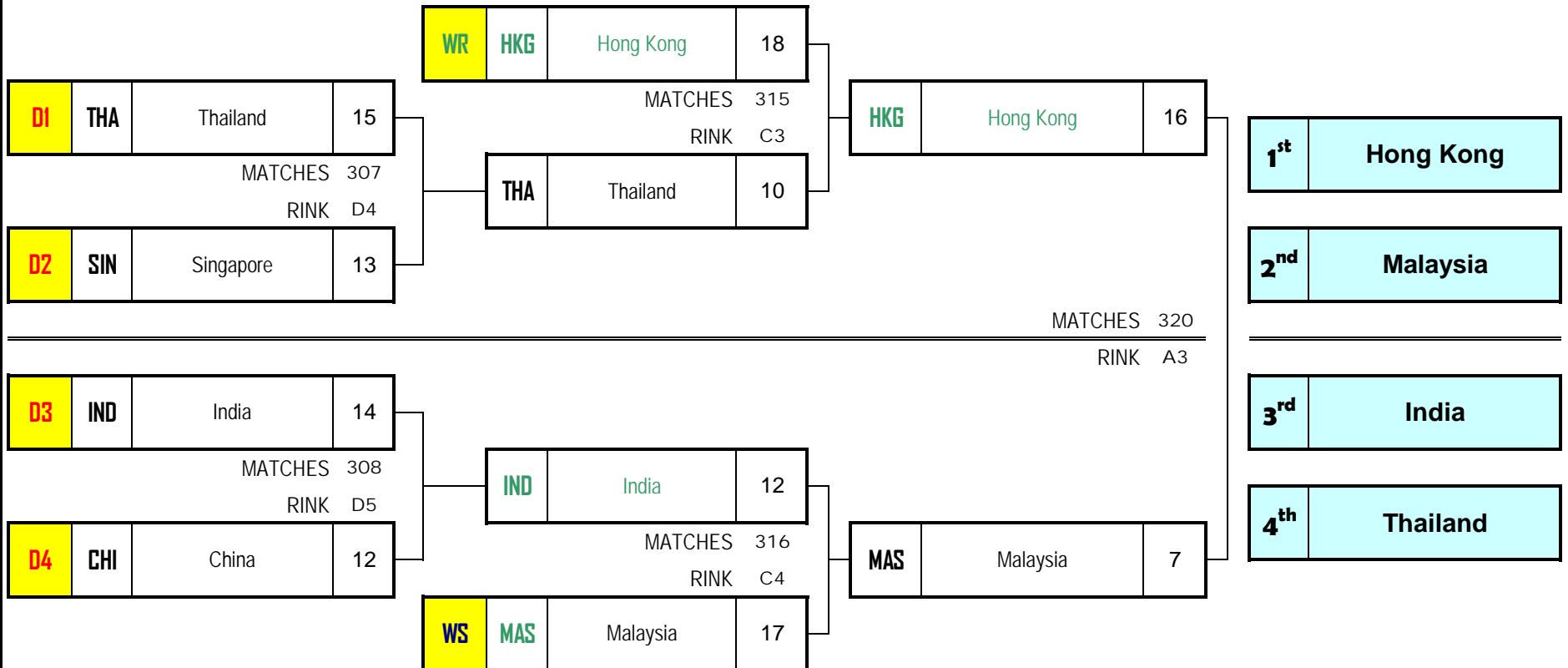


Semi Final Play Off
 10 Apr @ 3.30 am

Semi Final
 11 Apr @ 9.30 am

FINAL
 11 Apr @ 2.00 pm

CHAMPIONS



***PROGRESSIVE
RESULTS***

9th ASIAN LAWN BOWLS CHAMPIONSHIPS

KUALA LUMPUR, MALAYSIA

PROGRESSIVE RESULTS

M E N S I N G L E S

MEN SINGLES - GROUP 'A'														
TEAM NUMBER			R 06-Apr 1 10.30 am	R 06-Apr 2 2.30 pm	R 06-Apr 3 5.00 pm	R 07-Apr 4 9.30 am	R 07-Apr 5 1.00 pm	PROG				TEAM RANKING		
								F	A	M	P			
A1	MAS Malaysia	Mat	2 A1 - A2	34 A1 - A3	61 A1 - A5	72 A1 - A4	89 A1 - A6	105	58	47	10	1		
	Rnk	A2 21 - 14	C4 21 - 18	D3 21 - 15	B3 21 - 5	A3 21 - 6								
	Pts	W 2 - 0	W 2 - 0	W 2 - 0	W 2 - 0	W 2 - 0								
A2	UAE UAE	Mat	2 A2 - A1	35 A2 - A5	62 A2 - A4	73 A2 - A6	90 A2 - A3	69	91	-22	2	5		
	Rnk	A2 14 - 21	C6 15 - 21	D2 8 - 21	B2 21 - 7	A2 11 - 21								
	Pts	L 0 - 2	L 0 - 2	L 0 - 2	W 2 - 0	L 0 - 2								
A3	HKG Hong Kong	Mat	1 A3 - A4	34 A3 - A1	63 A3 - A6	74 A3 - A5	90 A3 - A2	102	56	46	8	2		
	Rnk	A1 21 - 9	C4 18 - 21	D1 21 - 4	B1 21 - 11	A2 21 - 11								
	Pts	W 2 - 0	L 0 - 2	W 2 - 0	W 2 - 0	W 2 - 0								
A4	JAP Japan	Mat	1 A4 - A3	36 A4 - A6	62 A4 - A2	72 A4 - A1	91 A4 - A5	77	71	6	6	3		
	Rnk	A1 9 - 21	C5 21 - 8	D2 21 - 8	B3 5 - 21	A1 21 - 13								
	Pts	L 0 - 2	L 2 - 0	W 2 - 0	L 0 - 2	L 2 - 0								
A5	SIN Singapore	Mat	6 A5 - A6	35 A5 - A2	61 A5 - A1	74 A5 - A3	91 A5 - A4	81	81	0	4	4		
	Rnk	A6 21 - 3	C6 21 - 15	D3 15 - 21	B1 11 - 21	A1 13 - 21								
	Pts	W 2 - 0	W 2 - 0	L 0 - 2	L 0 - 2	L 0 - 2								
A6	PAK Pakistan	Mat	6 A6 - A5	36 A6 - A4	63 A6 - A3	73 A6 - A2	89 A6 - A1	28	105	-77	0	6		
	Rnk	A6 3 - 21	C5 8 - 21	D1 4 - 21	B2 7 - 21	A3 6 - 21								
	Pts	L 0 - 2	L 0 - 2	L 0 - 2	L 0 - 2	L 0 - 2								
								462	462	0	30			

MEN SINGLES - GROUP 'B'														
TEAM NUMBER			R 06-Apr 1 10.30 am	R 06-Apr 2 2.30 pm	R 06-Apr 3 5.00 pm	R 07-Apr 4 9.30 am	R 07-Apr 5 1.00 pm	PROG				TEAM RANKING		
								F	A	M	P			
B1	BRU Brunei	Mat	7 B1 - B2	37 B1 - B3	64 B1 - B5	75 B1 - B4	92 B1 - B6	86	85	1	4	4		
	Rnk	B5 11 - 21	C3 18 - 21	D6 21 - 19	B6 15 - 21	A6 21 - 3								
	Pts	L 0 - 2	L 0 - 2	W 2 - 0	L 0 - 2	W 2 - 0								
B2	CHI China	Mat	7 B2 - B1	38 B2 - B5	65 B2 - B4	76 B2 - B6	93 B2 - B3	105	48	57	10	1		
	Rnk	B5 21 - 11	C1 21 - 13	D5 21 - 10	B5 21 - 0	A5 21 - 14								
	Pts	W 2 - 0	W 2 - 0	W 2 - 0	W 2 - 0	W 2 - 0								
B3	IND India	Mat	8 B3 - B4	37 B3 - B1	66 B3 - B6	77 B3 - B5	93 B3 - B2	88	72	16	6	3		
	Rnk	B6 11 - 21	C3 21 - 18	D4 21 - 1	B4 21 - 11	A5 14 - 21								
	Pts	L 0 - 2	W 2 - 0	W 2 - 0	W 2 - 0	L 0 - 2								
B4	PHI Philippines	Mat	8 B4 - B3	39 B4 - B6	65 B4 - B2	75 B4 - B1	94 B4 - B5	94	70	24	8	2		
	Rnk	B6 21 - 11	C2 21 - 3	D5 10 - 21	B6 21 - 15	A4 21 - 20								
	Pts	W 2 - 0	W 2 - 0	L 0 - 2	W 2 - 0	W 2 - 0								
B5	THA Thailand	Mat	9 B5 - B6	38 B5 - B2	64 B5 - B1	77 B5 - B3	94 B5 - B4	84	88	-4	2	5		
	Rnk	B4 21 - 4	C1 13 - 21	D6 19 - 21	B4 11 - 21	A4 20 - 21								
	Pts	W 2 - 0	L 0 - 2	L 0 - 2	L 0 - 2	L 0 - 2								
B6	SLK Sri Lanka	Mat	9 B6 - B5	39 B6 - B4	66 B6 - B3	76 B6 - B2	92 B6 - B1	11	105	-94	0	6		
	Rnk	B4 4 - 21	C2 3 - 21	D4 1 - 21	B5 0 - 21	A6 3 - 21								
	Pts	L 0 - 2	L 0 - 2	L 0 - 2	L 0 - 2	L 0 - 2								
								468	468	0	30			

9th ASIAN LAWN BOWLS CHAMPIONSHIPS

KUALA LUMPUR, MALAYSIA

PROGRESSIVE RESULTS

M E N F O U R S

MEN FOURS - GROUP 'G'													
TEAM NUMBER		R 06-Apr 1 10.30 am	R 06-Apr 2 2.30 pm	R 06-Apr 3 5.00 pm	R 07-Apr 4 9.30 am	R 07-Apr 5 1.00 pm	PROG				TEAM RANKING		
							F	A	M	P			
G1	MAS Malaysia	Mat 3 G1 - G2	23 G1 - G3	55 G1 - G5	83 G1 - G4	95 G1 - G6	125	39	86	8	2		
	Rnk	A3 17 - 18	A2 32 - 5	C4 17 - 6	D3 37 - 2	B4 22 - 8							
	Pts	L 0 - 2	W 2 - 0	W 2 - 0	W 2 - 0	W 2 - 0							
G2	HKG Hong Kong	Mat 3 G2 - G1	24 G2 - G5	56 G2 - G4	84 G2 - G6	96 G2 - G3	127	40	87	10	1		
	Rnk	A3 18 - 17	A1 18 - 11	C5 32 - 6	D2 28 - 4	B5 31 - 2							
	Pts	W 2 - 0	W 2 - 0	W 2 - 0	W 2 - 0	W 2 - 0							
G3	BRU Brunei	Mat 10 G3 - G4	23 G3 - G1	57 G3 - G6	85 G3 - G5	96 G3 - G2	89	92	-3	6	3		
	Rnk	B3 28 - 9	A2 5 - 32	C6 39 - 7	D1 15 - 13	B5 2 - 31							
	Pts	W 2 - 0	L 0 - 2	W 2 - 0	W 2 - 0	L 0 - 2							
G4	UAE UAE	Mat 10 G4 - G3	25 G4 - G6	56 G4 - G2	83 G4 - G1	97 G4 - G5	50	121	-71	3	5		
	Rnk	B3 9 - 28	A3 19 - 10	C5 6 - 32	D3 2 - 37	B6 14 - 14							
	Pts	L 0 - 2	W 2 - 0	L 0 - 2	L 0 - 2	D 1 - 1							
G5	SIN Singapore	Mat 11 G5 - G6	24 G5 - G2	55 G5 - G1	85 G5 - G3	97 G5 - G4	60	70	-10	3	4		
	Rnk	B1 16 - 6	A1 11 - 18	C4 6 - 17	D1 13 - 15	B6 14 - 14							
	Pts	W 2 - 0	L 0 - 2	L 0 - 2	L 0 - 2	D 1 - 1							
G6	SLK Sri Lanka	Mat 11 G6 - G5	25 G6 - G4	57 G6 - G3	84 G6 - G2	95 G6 - G1	35	124	-89	0	6		
	Rnk	B1 6 - 16	A3 10 - 19	C6 7 - 39	D2 4 - 28	B4 8 - 22							
	Pts	L 0 - 2	L 0 - 2	L 0 - 2	L 0 - 2	L 0 - 2							
							486	486	0	30			

MEN FOURS - GROUP 'H'													
TEAM NUMBER		R 06-Apr 1 10.30 am	R 06-Apr 2 2.30 pm	R 06-Apr 3 5.00 pm	R 07-Apr 4 9.30 am	R 07-Apr 5 1.00 pm	PROG				TEAM RANKING		
							F	A	M	P			
H1	CHI China	Mat 12 H1 - H2	26 H1 - H3	58 H1 - H5	86 H1 - H4	98 H1 - H6	79	63	16	2	5		
	Rnk	B2 13 - 15	A4 14 - 15	C1 10 - 14	D6 14 - 15	B1 28 - 4							
	Pts	L 0 - 2	L 0 - 2	L 0 - 2	L 0 - 2	W 2 - 0							
H2	IND India	Mat 12 H2 - H1	27 H2 - H5	59 H2 - H4	87 H2 - H6	99 H2 - H3	90	46	44	8	2		
	Rnk	B2 15 - 13	A6 19 - 9	C2 13 - 14	D5 24 - 6	B2 19 - 4							
	Pts	W 2 - 0	W 2 - 0	L 0 - 2	W 2 - 0	W 2 - 0							
H3	JAP Japan	Mat 13 H3 - H4	26 H3 - H1	60 H3 - H6	88 H3 - H5	99 H3 - H2	68	72	-4	4	4		
	Rnk	C1 7 - 17	A4 15 - 14	C3 34 - 3	D4 8 - 19	B2 4 - 19							
	Pts	L 0 - 2	W 2 - 0	W 2 - 0	L 0 - 2	L 0 - 2							
H4	PHI Philippines	Mat 13 H4 - H3	28 H4 - H6	59 H4 - H2	86 H4 - H1	100 H4 - H5	98	49	49	10	1		
	Rnk	C1 17 - 7	A5 36 - 4	C2 14 - 13	D6 15 - 14	B3 16 - 11							
	Pts	W 2 - 0	W 2 - 0	W 2 - 0	W 2 - 0	W 2 - 0							
H5	THA Thailand	Mat 14 H5 - H6	27 H5 - H2	58 H5 - H1	88 H5 - H3	100 H5 - H4	91	55	36	6	3		
	Rnk	C2 38 - 2	A6 9 - 19	C1 14 - 10	D4 19 - 8	B3 11 - 16							
	Pts	W 2 - 0	L 0 - 2	W 2 - 0	W 2 - 0	L 0 - 2							
H6	PAK Pakistan	Mat 14 H6 - H5	28 H6 - H4	60 H6 - H3	87 H6 - H2	98 H6 - H1	19	160	-141	0	6		
	Rnk	C2 2 - 38	A5 4 - 36	C3 3 - 34	D5 6 - 24	B1 4 - 28							
	Pts	L 0 - 2	L 0 - 2	L 0 - 2	L 0 - 2	L 0 - 2							
							445	445	0	30			

9th ASIAN LAWN BOWLS CHAMPIONSHIPS

KUALA LUMPUR, MALAYSIA

PROGRESSIVE RESULTS

WOMEN PAIRS

WOMEN PAIRS - GROUP 'L'																	
TEAM NUMBER			R 06-Apr 1 10.30 am	R 06-Apr 2 2.30 pm	R 06-Apr 3 5.00 pm	R 07-Apr 4 9.30 am	R 07-Apr 5 1.00 pm	PROG				TEAM RANKING					
								F	A	M	P						
L1	THA Thailand	Mat Rnk Pts	15 C3 D	L1 - L2 13 - 13 1 - 1	40 D1 W	L1 - L3 21 - 9 2 - 0	50 B5 L	L1 - L5 8 - 23 0 - 2	67 A1 W	L1 - L4 23 - 5 2 - 0	101 C1 W	L1 - L6 22 - 12 2 - 0	87	62	25	7	3
L2	CHI China	Mat Rnk Pts	15 C3 D	L2 - L1 13 - 13 1 - 1	41 D3 L	L2 - L5 8 - 20 0 - 2	51 B4 W	L2 - L4 16 - 9 2 - 0	68 A2 W	L2 - L6 34 - 5 2 - 0	102 C2 W	L2 - L3 18 - 9 2 - 0	89	56	33	7	2
L3	BRU Brunei	Mat Rnk Pts	16 C4 L	L3 - L4 14 - 15 0 - 2	40 D1 L	L3 - L1 9 - 21 0 - 2	52 B3 W	L3 - L6 13 - 8 2 - 0	69 A3 L	L3 - L5 6 - 21 0 - 2	102 C2 L	L3 - L2 9 - 18 0 - 2	51	83	-32	2	5
L4	JAP Japan	Mat Rnk Pts	16 C4 W	L4 - L3 15 - 14 2 - 0	42 D2 W	L4 - L6 17 - 10 2 - 0	51 B4 L	L4 - L2 9 - 16 0 - 2	67 A1 L	L4 - L1 5 - 23 0 - 2	103 C3 L	L4 - L5 8 - 23 0 - 2	54	86	-32	4	4
L5	PHI Philippines	Mat Rnk Pts	17 C5 W	L5 - L6 53 - 1 2 - 0	41 D3 W	L5 - L2 20 - 8 2 - 0	50 B5 W	L5 - L1 23 - 8 2 - 0	69 A3 W	L5 - L3 21 - 6 2 - 0	103 C3 W	L5 - L4 23 - 8 2 - 0	140	31	109	10	1
L6	PAK Pakistan	Mat Rnk Pts	17 C5 L	L6 - L5 1 - 53 0 - 2	42 D2 L	L6 - L4 10 - 17 0 - 2	52 B3 L	L6 - L3 8 - 13 0 - 2	68 A2 L	L6 - L2 5 - 34 0 - 2	101 C1 L	L6 - L1 12 - 22 0 - 2	36	139	-103	0	6
								457	457	0	30						

WOMEN PAIRS - GROUP 'M'																	
TEAM NUMBER			R 06-Apr 1 10.30 am	R 06-Apr 2 2.30 pm	R 06-Apr 3 5.00 pm	R 07-Apr 4 9.30 am	R 07-Apr 5 1.00 pm	PROG				TEAM RANKING					
								F	A	M	P						
M1	MAS Malaysia	Mat Rnk Pts	4 A4 L	M1 - M2 11 - 16 0 - 2	43 D5 L	M1 - M3 13 - 16 0 - 2	53 B2 W	M1 - M5 31 - 8 2 - 0			104 C4 W	M1 - M6 33 - 6 2 - 0	88	46	42	4	3
M2	IND India	Mat Rnk Pts	4 A4 W	M2 - M1 16 - 11 2 - 0	44 D4 W	M2 - M5 13 - 12 2 - 0		70 A4 W	M2 - M6 33 - 4 2 - 0	105 C5 W	M2 - M3 15 - 9 2 - 0	77	36	41	8	1	
M3	HKG Hong Kong	Mat Rnk Pts			43 D5 W	M3 - M1 16 - 13 2 - 0	54 B1 W	M3 - M6 32 - 1 2 - 0	71 A5 W	M3 - M5 21 - 5 2 - 0	105 C5 L	M3 - M2 9 - 15 0 - 2	78	34	44	6	2
M4	BYE Bye	Mat Rnk Pts															
M5	SIN Singapore	Mat Rnk Pts	18 D2 W	M5 - M6 27 - 3 2 - 0	44 D4 L	M5 - M2 12 - 13 0 - 2	53 B2 L	M5 - M1 8 - 31 0 - 2	71 A5 L	M5 - M3 5 - 21 0 - 2			52	68	-16	2	4
M6	SLK Sri Lanka	Mat Rnk Pts	18 D2 L	M6 - M5 3 - 27 0 - 2			54 B1 L	M6 - M3 1 - 32 0 - 2	70 A4 L	M6 - M2 4 - 33 0 - 2	104 C4 L	M6 - M1 6 - 33 0 - 2	14	125	-111	0	5
								309	309	0	20						

9th ASIAN LAWN BOWLS CHAMPIONSHIPS

KUALA LUMPUR, MALAYSIA

PROGRESSIVE RESULTS

WOMEN TRIPLES

WOMEN TRIPLES - GROUP 'P'													
TEAM NUMBER			R 06-Apr 1 10.30 am	R 06-Apr 2 2.30 pm	R 06-Apr 3 5.00 pm	R 07-Apr 4 9.30 am	R 07-Apr 5 1.00 pm	PROG				TEAM RANKING	
								F	A	M	P		
P1	MAS Malaysia	Mat	5 P1 - P2	29 P1 - P3	45 P1 - P5	78 P1 - P4	106 P1 - P6	132	29	103	10	1	
		Rnk	A5 20 - 4	B3 28 - 3	A3 24 - 4	C4 24 - 14	D2 36 - 4						
		Pts	W 2 - 0	W 2 - 0	W 2 - 0	W 2 - 0	W 2 - 0						
P2	THA Thailand	Mat	5 P2 - P1	30 P2 - P5	46 P2 - P4	79 P2 - P6	107 P2 - P3	93	55	38	7	3	
		Rnk	A5 4 - 20	B2 16 - 16	A2 17 - 8	C5 33 - 6	D3 23 - 5						
		Pts	L 0 - 2	D 1 - 1	W 2 - 0	W 2 - 0	W 2 - 0						
P3	BRU Brunei	Mat	19 P3 - P4	29 P3 - P1	47 P3 - P6	80 P3 - P5	107 P3 - P2	59	93	-34	3	5	
		Rnk	D3 12 - 12	B3 3 - 28	A1 31 - 7	C6 8 - 23	D3 5 - 23						
		Pts	D 1 - 1	L 0 - 2	W 2 - 0	L 0 - 2	L 0 - 2						
P4	JAP Japan	Mat	19 P4 - P3	31 P4 - P6	46 P4 - P2	78 P4 - P1	108 P4 - P5	73	75	-2	3	4	
		Rnk	D3 12 - 12	B1 30 - 7	A2 8 - 17	C4 14 - 24	D1 9 - 15						
		Pts	D 1 - 1	W 2 - 0	L 0 - 2	L 0 - 2	L 0 - 2						
P5	PHI Philippines	Mat	20 P5 - P6	30 P5 - P2	45 P5 - P1	80 P5 - P3	108 P5 - P4	102	62	40	7	2	
		Rnk	D1 44 - 5	B2 16 - 16	A3 4 - 24	C6 23 - 8	D1 15 - 9						
		Pts	W 2 - 0	D 1 - 1	L 0 - 2	W 2 - 0	W 2 - 0						
P6	PAK Pakistan	Mat	20 P6 - P5	31 P6 - P4	47 P6 - P3	79 P6 - P2	106 P6 - P1	29	174	-145	0	6	
		Rnk	D1 5 - 44	B1 7 - 30	A1 7 - 31	C5 6 - 33	D2 4 - 36						
		Pts	L 0 - 2	L 0 - 2	L 0 - 2	L 0 - 2	L 0 - 2						
								488	488	0	30		

WOMEN TRIPLES - GROUP 'Q'													
TEAM NUMBER			R 06-Apr 1 10.30 am	R 06-Apr 2 2.30 pm	R 06-Apr 3 5.00 pm	R 07-Apr 4 9.30 am	R 07-Apr 5 1.00 pm	PROG				TEAM RANKING	
								F	A	M	P		
Q1	CHI China	Mat	21 Q1 - Q2	32 Q1 - Q3	48 Q1 - Q5		109 Q1 - Q6	70	58	12	4	4	
		Rnk	D4 8 - 20	B4 16 - 10	A6 14 - 17		D4 32 - 11						
		Pts	L 0 - 2	W 2 - 0	L 0 - 2		W 2 - 0						
Q2	IND India	Mat	21 Q2 - Q1	33 Q2 - Q5		81 Q2 - Q6	110 Q2 - Q3	89	39	50	8	1	
		Rnk	D4 20 - 8	B5 14 - 11		C3 36 - 7	D5 19 - 13						
		Pts	W 2 - 0	W 2 - 0		W 2 - 0	W 2 - 0						
Q3	HKG Hong Kong	Mat		32 Q3 - Q1	49 Q3 - Q6	82 Q3 - Q5	110 Q3 - Q2	86	49	37	4	2	
		Rnk		B4 10 - 16	A5 47 - 4	C2 16 - 10	D5 13 - 19						
		Pts		L 0 - 2	W 2 - 0	W 2 - 0	L 0 - 2						
Q4	BYE Bye	Mat											
		Rnk											
		Pts											
Q1	SIN Singapore	Mat	22 Q5 - Q6	33 Q5 - Q2	48 Q5 - Q1	82 Q5 - Q3		69	51	18	4	3	
		Rnk	D5 31 - 7	B5 11 - 14	A6 17 - 14	C2 10 - 16							
		Pts	W 2 - 0	L 0 - 2	W 2 - 0	L 0 - 2							
Q2	SLK Sri Lanka	Mat	22 Q6 - Q5		49 Q6 - Q3	81 Q6 - Q2	109 Q6 - Q1	29	146	-117	0	5	
		Rnk	D5 7 - 31		A5 4 - 47	C3 7 - 36	D4 11 - 32						
		Pts	L 0 - 2		L 0 - 2	L 0 - 2	L 0 - 2						
								343	343	0	20		

9th ASIAN LAWN BOWLS CHAMPIONSHIPS

KUALA LUMPUR, MALAYSIA

PROGRESSIVE RESULTS

M E N P A I R S

MEN PAIRS - GROUP 'C'													
TEAM NUMBER			R 09-Apr 1 9.30 am	R 09-Apr 2 1.00 pm	R 09-Apr 3 3.30 pm	R 10-Apr 4 9.30 am	R 10-Apr 5 1.00 pm	PROG				TEAM RANKING	
								F	A	M	P		
C1	MAS Malaysia	Mat	171 C1 - C2	208 C1 - C3	236 C1 - C5	251 C1 - C4	288 C1 - C6	98	40	58	8	2	
	Rnk	A3 11 - 13	C1 24 - 8	C4 12 - 9	B5 15 - 8	D2 36 - 2							
	Pts	L 0 - 2	W 2 - 0	W 2 - 0	W 2 - 0	W 2 - 0							
C2	IND India	Mat	171 C2 - C1	209 C2 - C5	237 C2 - C4	252 C2 - C6	289 C2 - C3	99	52	47	8	3	
	Rnk	A3 13 - 11	C2 12 - 17	C6 23 - 9	B6 39 - 4	D3 12 - 11							
	Pts	W 2 - 0	L 0 - 2	W 2 - 0	W 2 - 0	W 2 - 0							
C3	BRU Brunei	Mat	172 C3 - C4	208 C3 - C1	238 C3 - C6	253 C3 - C5	289 C3 - C2	73	77	-4	2	5	
	Rnk	A2 14 - 19	C1 8 - 24	C5 37 - 3	B4 3 - 19	D3 11 - 12							
	Pts	L 0 - 2	L 0 - 2	W 2 - 0	L 0 - 2	L 0 - 2							
C4	JAP Japan	Mat	172 C4 - C3	210 C4 - C6	237 C4 - C2	251 C4 - C1	290 C4 - C5	74	82	-8	4	4	
	Rnk	A2 19 - 14	C3 30 - 9	C6 9 - 23	B5 8 - 15	D1 8 - 21							
	Pts	W 2 - 0	W 2 - 0	L 0 - 2	L 0 - 2	L 0 - 2							
C5	PHI Philippines	Mat	173 C5 - C6	209 C5 - C2	236 C5 - C1	253 C5 - C3	290 C5 - C4	98	37	61	8	1	
	Rnk	A1 32 - 2	C2 17 - 12	C4 9 - 12	B4 19 - 3	D1 21 - 8							
	Pts	W 2 - 0	W 2 - 0	L 0 - 2	W 2 - 0	W 2 - 0							
C6	SLK Sri Lanka	Mat	173 C6 - C5	210 C6 - C4	238 C6 - C3	252 C6 - C2	288 C6 - C1	20	174	-154	0	6	
	Rnk	A1 2 - 32	C3 9 - 30	C5 3 - 37	B6 4 - 39	D2 2 - 36							
	Pts	L 0 - 2	L 0 - 2	L 0 - 2	L 0 - 2	L 0 - 2							
								462	462	0	30		

MEN PAIRS - GROUP 'D'													
TEAM NUMBER			R 09-Apr 1 9.30 am	R 09-Apr 2 1.00 pm	R 09-Apr 3 3.30 pm	R 10-Apr 4 9.30 am	R 10-Apr 5 1.00 pm	PROG				TEAM RANKING	
								F	A	M	P		
D1	HKG Hong Kong	Mat	174 D1 - D2	211 D1 - D3	239 D1 - D5	254 D1 - D4	291 D1 - D6	91	56	35	7	3	
	Rnk	A6 10 - 15	C4 14 - 12	C2 13 - 13	B3 16 - 14	D6 38 - 2							
	Pts	L 0 - 2	W 2 - 0	D 1 - 1	W 2 - 0	W 2 - 0							
D2	THA Thailand	Mat	174 D2 - D1	212 D2 - D5	240 D2 - D4	255 D2 - D6	292 D2 - D3	84	57	27	8	2	
	Rnk	A6 15 - 10	C5 16 - 12	C1 23 - 10	B1 18 - 12	D5 12 - 13							
	Pts	W 2 - 0	W 2 - 0	W 2 - 0	W 2 - 0	L 0 - 2							
D3	CHI China	Mat	175 D3 - D4	211 D3 - D1	241 D3 - D6	256 D3 - D5	292 D3 - D2	87	53	34	8	1	
	Rnk	A5 16 - 10	C4 12 - 14	C3 25 - 6	B2 21 - 11	D5 13 - 12							
	Pts	W 2 - 0	L 0 - 2	W 2 - 0	W 2 - 0	W 2 - 0							
D4	UAE UAE	Mat	175 D4 - D3	213 D4 - D6	240 D4 - D2	254 D4 - D1	293 D4 - D5	57	85	-28	2	5	
	Rnk	A5 10 - 16	C6 16 - 11	C1 10 - 23	B3 14 - 16	D4 7 - 19							
	Pts	L 0 - 2	2 - 0	L 0 - 2	L 0 - 2	L 0 - 2							
D5	SIN Singapore	Mat	176 D5 - D6	212 D5 - D2	239 D5 - D1	256 D5 - D3	293 D5 - D4	74	68	6	5	4	
	Rnk	A4 19 - 11	C5 12 - 16	C2 13 - 13	B2 11 - 21	D4 19 - 7							
	Pts	W 2 - 0	L 0 - 2	D 1 - 1	L 0 - 2	W 2 - 0							
D6	PAK Pakistan	Mat	176 D6 - D5	213 D6 - D4	241 D6 - D3	255 D6 - D2	291 D6 - D1	42	116	-74	0	6	
	Rnk	A4 11 - 19	C6 11 - 16	C3 6 - 25	B1 12 - 18	D6 2 - 38							
	Pts	L 0 - 2	L 0 - 2	L 0 - 2	L 0 - 2	L 0 - 2							
								435	435	0	30		

9th ASIAN LAWN BOWLS CHAMPIONSHIPS

KUALA LUMPUR, MALAYSIA

PROGRESSIVE RESULTS

M E N T R I P L E S

MEN TRIPLES - GROUP 'E'													
TEAM NUMBER			R 09-Apr 1 9.30 am	R 09-Apr 2 1.00 pm	R 09-Apr 3 3.30 pm	R 10-Apr 4 9.30 am	R 10-Apr 5 1.00 pm	PROG				TEAM RANKING	
								F	A	M	P		
E1	MAS Malaysia	Mat	183 E1 - E2	214 E1 - E3	225 E1 - E5	257 E1 - E4	277 E1 - E6	143	39	104	8	1	
	Rnk	C3 9 - 19	D1 21 - 8	A4 21 - 7	C5 38 - 3	B2 54 - 2							
	Pts	L 0 - 2	W 2 - 0	W 2 - 0	W 2 - 0	W 2 - 0							
E2	IND India	Mat	183 E2 - E1	215 E2 - E5	226 E2 - E4	258 E2 - E6	278 E2 - E3	122	47	75	8	3	
	Rnk	C3 19 - 9	D2 6 - 19	A6 30 - 4	C6 40 - 5	B3 27 - 10							
	Pts	W 2 - 0	L 0 - 2	W 2 - 0	W 2 - 0	W 2 - 0							
E3	CHI China	Mat	184 E3 - E4	214 E3 - E1	227 E3 - E6	259 E3 - E5	278 E3 - E2	81	86	-5	4	4	
	Rnk	C2 26 - 8	D1 8 - 21	A5 30 - 7	C4 7 - 23	B3 10 - 27							
	Pts	W 2 - 0	L 0 - 2	W 2 - 0	L 0 - 2	L 0 - 2							
E4	UAE UAE	Mat	184 E4 - E3	216 E4 - E6	226 E4 - E2	257 E4 - E1	279 E4 - E5	28	156	-128	0	6	
	Rnk	C2 8 - 26	D3 10 - 12	A6 4 - 30	C5 3 - 38	B1 3 - 50							
	Pts	L 0 - 2	L 0 - 2	L 0 - 2	L 0 - 2	L 0 - 2							
E5	THA Thailand	Mat	185 E5 - E6	215 E5 - E2	225 E5 - E1	259 E5 - E3	279 E5 - E4	129	43	86	8	2	
	Rnk	C1 30 - 6	D2 19 - 6	A4 7 - 21	C4 23 - 7	B1 50 - 3							
	Pts	W 2 - 0	W 2 - 0	L 0 - 2	W 2 - 0	W 2 - 0							
E6	PAK Pakistan	Mat	185 E6 - E5	216 E6 - E4	227 E6 - E3	258 E6 - E2	277 E6 - E1	32	164	-132	2	5	
	Rnk	C1 6 - 30	D3 12 - 10	A5 7 - 30	C6 5 - 40	B2 2 - 54							
	Pts	L 0 - 2	W 2 - 0	L 0 - 2	L 0 - 2	L 0 - 2							
								535	535	0	30		

MEN TRIPLES - GROUP 'F'													
TEAM NUMBER			R 09-Apr 1 9.30 am	R 09-Apr 2 1.00 pm	R 09-Apr 3 3.30 pm	R 10-Apr 4 9.30 am	R 10-Apr 5 1.00 pm	PROG				TEAM RANKING	
								F	A	M	P		
F1	BRU Brunei	Mat	186 F1 - F2	217 F1 - F3	228 F1 - F5	260 F1 - F4	280 F1 - F6	76	61	15	5	3	
	Rnk	C6 12 - 12	D4 13 - 14	A2 5 - 23	C3 30 - 5	B6 16 - 7							
	Pts	D 1 - 1	L 0 - 2	L 0 - 2	W 2 - 0	W 2 - 0							
F2	SIN Singapore	Mat	186 F2 - F1	218 F2 - F5	229 F2 - F4	261 F2 - F6	281 F2 - F3	78	70	8	5	4	
	Rnk	C6 12 - 12	D5 8 - 24	A1 22 - 11	C1 28 - 7	B4 8 - 16							
	Pts	D 1 - 1	L 0 - 2	W 2 - 0	W 2 - 0	L 0 - 2							
F3	HKG Hong kong	Mat	187 F3 - F4	217 F3 - F1	230 F3 - F6	262 F3 - F5	281 F3 - F2	87	56	31	8	2	
	Rnk	C5 18 - 8	D4 14 - 13	A3 34 - 5	C2 5 - 22	B4 16 - 8							
	Pts	W 2 - 0	W 2 - 0	W 2 - 0	L 0 - 2	W 2 - 0							
F4	JAP Japan	Mat	187 F4 - F3	219 F4 - F6	229 F4 - F2	260 F4 - F1	282 F4 - F5	56	90	-34	2	5	
	Rnk	C5 8 - 18	D6 26 - 5	A1 11 - 22	C3 5 - 30	B5 6 - 15							
	Pts	L 0 - 2	W 2 - 0	L 0 - 2	L 0 - 2	L 0 - 2							
F5	PHI Philippines	Mat	188 F5 - F6	218 F5 - F2	228 F5 - F1	262 F5 - F3	282 F5 - F4	112	27	85	10	1	
	Rnk	C4 28 - 3	D5 24 - 8	A2 23 - 5	C2 22 - 5	B5 15 - 6							
	Pts	W 2 - 0	W 2 - 0	W 2 - 0	W 2 - 0	W 2 - 0							
F6	SLK Sri Lanka	Mat	188 F6 - F5	219 F6 - F4	230 F6 - F3	261 F6 - F2	280 F6 - F1	27	132	-105	0	6	
	Rnk	C4 3 - 28	D6 5 - 26	A3 5 - 34	C1 7 - 28	B6 7 - 16							
	Pts	L 0 - 2	L 0 - 2	L 0 - 2	L 0 - 2	L 0 - 2							
								436	436	0	30		

9th ASIAN LAWN BOWLS CHAMPIONSHIPS

KUALA LUMPUR, MALAYSIA

PROGRESSIVE RESULTS

WOMEN SINGLES

WOMEN SINGLES - GROUP 'J'													
TEAM NUMBER			R 09-Apr 1 9.30 am	R 09-Apr 2 1.00 pm	R 09-Apr 3 3.30 pm	R 10-Apr 4 9.30 am	R 10-Apr 5 1.00 pm	PROG				TEAM RANKING	
								F	A	M	P		
J1	MAS Malaysia	Mat	189 J1 - J2	220 J1 - J3	231 J1 - J5	263 J1 - J4	294 J1 - J6						
		Rnk	D3 21 - 18	E1 21 - 7	B4 21 - 16	D2 21 - 5	E1 21 - 2	105	48	57	10	1	
		Pts	W 2 - 0	W 2 - 0	W 2 - 0	W 2 - 0	W 2 - 0						
J2	IND India	Mat	189 J2 - J1	221 J2 - J5	232 J2 - J4	264 J2 - J6	295 J2 - J3						
		Rnk	D3 18 - 21	E2 16 - 21	B6 20 - 21	D3 21 - 6	E2 21 - 9	96	78	18	4	4	
		Pts	L 0 - 2	L 0 - 2	L 0 - 2	W 2 - 0	W 2 - 0						
J3	BRU Brunei	Mat	190 J3 - J4	220 J3 - J1	233 J3 - J6	265 J3 - J5	295 J3 - J2						
		Rnk	D2 14 - 21	E1 7 - 21	B5 21 - 13	D4 10 - 21	E2 9 - 21	61	97	-36	2	5	
		Pts	L 0 - 2	L 0 - 2	W 2 - 0	L 0 - 2	L 0 - 2						
J4	JAP Japan	Mat	190 J4 - J3	222 J4 - J6	232 J4 - J2	263 J4 - J1	296 J4 - J5						
		Rnk	D2 21 - 14	E3 21 - 7	B6 21 - 20	D2 5 - 21	E3 16 - 21	84	83	1	6	3	
		Pts	W 2 - 0	W 2 - 0	W 2 - 0	L 0 - 2	L 0 - 2						
J5	PHI Philippines	Mat	191 J5 - J6	221 J5 - J2	231 J5 - J1	265 J5 - J3	296 J5 - J4						
		Rnk	D1 21 - 6	E2 21 - 16	B4 16 - 21	D4 21 - 10	E3 21 - 16	100	69	31	8	2	
		Pts	W 2 - 0	W 2 - 0	L 0 - 2	W 2 - 0	W 2 - 0						
J6	SLK Sri Lanka	Mat	191 J6 - J5	222 J6 - J4	233 J6 - J3	264 J6 - J2	294 J6 - J1						
		Rnk	D1 6 - 21	E3 7 - 21	B5 13 - 21	D3 6 - 21	E1 2 - 21	34	105	-71	0	6	
		Pts	L 0 - 2	L 0 - 2	L 0 - 2	L 0 - 2	L 0 - 2						
								480	480	0	30		

WOMEN SINGLES - GROUP 'K'													
TEAM NUMBER			R 09-Apr 1 9.30 am	R 09-Apr 2 1.00 pm	R 09-Apr 3 3.30 pm	R 10-Apr 4 9.30 am	R 10-Apr 5 1.00 pm	PROG				TEAM RANKING	
								F	A	M	P		
K1	HKG Hong Kong	Mat	192 K1 - K2	223 K1 - K3	234 K1 - K5		297 K1 - K6						
		Rnk	D6 21 - 8	E4 20 - 21	B2 21 - 6		E4 21 - 7	83	42	41	6	1	
		Pts	W 2 - 0	L 0 - 2	W 2 - 0		W 2 - 0						
K2	THA Thailand	Mat	192 K2 - K1	224 K2 - K5		266 K2 - K6	298 K2 - K3						
		Rnk	D6 8 - 21	E5 11 - 21		D5 21 - 6	E5 17 - 21	57	69	-12	2	4	
		Pts	L 0 - 2	L 0 - 2		W 2 - 0	L 0 - 2						
K3	CHI China	Mat		223 K3 - K1	235 K3 - K6	267 K3 - K5	298 K3 - K2						
		Rnk		E4 21 - 20	B3 21 - 8	D6 6 - 21	E5 21 - 17	69	66	3	6	3	
		Pts		W 2 - 0	W 2 - 0	L 0 - 2	W 2 - 0						
K4	BYE Bye	Mat											
		Rnk											
		Pts											
K5	SIN Singapore	Mat	193 K5 - K6	224 K5 - K2	234 K5 - K1	267 K5 - K3							
		Rnk	D5 21 - 5	E5 21 - 11	B2 6 - 21	D6 21 - 6		69	43	26	6	2	
		Pts	W 2 - 0	W 2 - 0	L 0 - 2	W 2 - 0							
K6	PAK Pakistan	Mat	193 K6 - K5		235 K6 - K3	266 K6 - K2	297 K6 - K1						
		Rnk	D5 5 - 21		B3 8 - 21	D5 6 - 21	E4 7 - 21	26	84	-58	0	5	
		Pts	L 0 - 2		L 0 - 2	L 0 - 2	L 0 - 2						
								304	304	0	20		

9th ASIAN LAWN BOWLS CHAMPIONSHIPS

KUALA LUMPUR, MALAYSIA

PROGRESSIVE RESULTS

WOMEN FOURS

WOMEN FOURS - GROUP 'R'												
TEAM NUMBER			R 09-Apr 1 9.30 am	R 09-Apr 2 1.00 pm	R 09-Apr 3 3.30 pm	R 10-Apr 4 9.30 am	R 10-Apr 5 1.00 pm	PROG				TEAM RANKING
								F	A	M	P	
R1	IND India	Mat Rnk Pts	194 R1 - R2 E1 30 - 3 W 2 - 0	199 R1 - R3 A1 22 - 8 W 2 - 0		268 R1 - R4 E2 12 - 16 L 0 - 2	283 R1 - R6 C1 23 - 5 W 2 - 0	87	32	55	6	2
R2	SIN Singapore	Mat Rnk Pts	194 R2 - R1 E1 3 - 30 L 0 - 2		242 R2 - R4 D4 14 - 18 L 0 - 2	269 R2 - R6 E3 23 - 10 W 2 - 0	284 R2 - R3 C2 30 - 11 W 2 - 0	70	69	1	4	3
R3	BRU Brunei	Mat Rnk Pts	195 R3 - R4 E2 12 - 16 L 0 - 2	199 R3 - R1 A1 8 - 22 L 0 - 2	243 R3 - R6 D5 13 - 10 W 2 - 0		284 R3 - R2 C2 11 - 30 L 0 - 2	44	78	-34	2	4
R4	HKG Hong Kong	Mat Rnk Pts	195 R4 - R3 E2 16 - 12 W 2 - 0	200 R4 - R6 A2 31 - 4 W 2 - 0	242 R4 - R2 D4 18 - 14 W 2 - 0	268 R4 - R1 E2 16 - 12 W 2 - 0		81	42	39	8	1
R5	BYE Bye	Mat Rnk Pts										
R6	SLK Sri Lanka	Mat Rnk Pts		200 R6 - R4 A2 4 - 31 L 0 - 2	243 R6 - R3 D5 10 - 13 L 0 - 2	269 R6 - R2 E3 10 - 23 L 0 - 2	283 R6 - R1 C1 5 - 23 L 0 - 2	29	90	-61	0	5
								311	311	0	20	

WOMEN FOURS - GROUP 'S'												
TEAM NUMBER			R 09-Apr 1 9.30 am	R 09-Apr 2 1.00 pm	R 09-Apr 3 3.30 pm	R 10-Apr 4 9.30 am	R 10-Apr 5 1.00 pm	PROG				TEAM RANKING
								F	A	M	P	
S1	MAS Malaysia	Mat Rnk Pts	196 S1 - S2 E3 8 - 15 L 0 - 2	201 S1 - S3 A3 17 - 11 W 2 - 0	244 S1 - S5 D5 17 - 14 W 2 - 0	270 S1 - S4 E4 12 - 10 W 2 - 0	285 S1 - S6 C3 38 - 6 W 2 - 0	92	56	36	8	1
S2	THA Thailand	Mat Rnk Pts	196 S2 - S1 E3 15 - 8 W 2 - 0	202 S2 - S5 A4 15 - 17 L 0 - 2	245 S2 - S4 D2 17 - 9 W 2 - 0	271 S2 - S6 E5 31 - 6 W 2 - 0	286 S2 - S3 C4 12 - 12 D 1 - 1	90	52	38	7	3
S3	CHI China	Mat Rnk Pts	197 S3 - S4 E4 19 - 10 W 2 - 0	201 S3 - S1 A3 11 - 17 L 0 - 2	246 S3 - S6 D3 43 - 2 W 2 - 0	272 S3 - S5 E6 19 - 10 W 2 - 0	286 S3 - S2 C4 12 - 12 D 1 - 1	104	51	53	7	2
S4	JAP Japan	Mat Rnk Pts	197 S4 - S3 E4 10 - 19 L 0 - 2	203 S4 - S6 A5 7 - 0 W 2 - 0	245 S4 - S2 D2 9 - 17 L 0 - 2	270 S4 - S1 E4 10 - 12 L 0 - 2	287 S4 - S5 C5 9 - 11 L 0 - 2	45	59	-14	2	5
S5	PHI Philippines	Mat Rnk Pts	198 S5 - S6 E5 48 - 4 W 2 - 0	202 S5 - S2 A4 17 - 15 W 2 - 0	244 S5 - S1 D5 14 - 17 L 0 - 2	272 S5 - S3 E6 10 - 19 L 0 - 2	287 S5 - S4 C5 11 - 9 W 2 - 0	100	64	36	6	4
S6	PAK Pakistan	Mat Rnk Pts	198 S6 - S5 E5 4 - 48 L 0 - 2	203 S6 - S4 A5 0 - 7 L 0 - 2	246 S6 - S3 D3 2 - 43 L 0 - 2	271 S6 - S2 E5 6 - 31 L 0 - 2	285 S6 - S1 C3 6 - 38 L 0 - 2	18	167	-149	0	6
								449	449	0	30	

DAILY RESULTS



9th Asian Lawn Bowls Championships 2012

7th Asian Singles Under 25

Bukit Kiara, Kuala Lumpur
6 - 11 April 2012



Tarikh	Masa	Bil.	Acara	Format	Perlawanan				Rink	Results		
06-Apr Fri	10.30 am Round	M S I N	1	MSIN	A3 v A4	HKG	Hong Kong	Vs	JAP	Japan	A1	21 - 09
			2	MSIN	A1 v A2	MAS	Malaysia	Vs	UAE	UAE	A2	21 - 14
			3	MFOU	G1 v G2	MAS	Malaysia	Vs	HKG	Hong Kong	A3	17 - 18
			4	WPAI	M1 v M2	MAS	Malaysia	Vs	IND	India	A4	11 - 16
			5	WTRI	P1 v P2	MAS	Malaysia	Vs	THA	Thailand	A5	20 - 04
			6	MSIN	A5 v A6	SIN	Singapore	Vs	PAK	Pakistan	A6	21 - 03
		M F O U	7	MSIN	B1 v B2	BRU	Brunei	Vs	CHI	China	B5	11 - 21
			8	MSIN	B3 v B4	IND	India	Vs	PHI	Philippines	B6	11 - 21
			9	MSIN	B5 v B6	THA	Thailand	Vs	SLK	Sri Lanka	B4	21 - 04
			10	MFOU	G3 v G4	BRU	Brunei	Vs	UAE	UAE	B3	28 - 09
			11	MFOU	G5 v G6	SIN	Singapore	Vs	SLK	Sri Lanka	B1	16 - 06
			12	MFOU	H1 v H2	CHI	China	Vs	IND	India	B2	13 - 15
		W P A I	13	MFOU	H3 v H4	JAP	Japan	Vs	PHI	Philippines	C1	07 - 17
			14	MFOU	H5 v H6	THA	Thailand	Vs	PAK	Pakistan	C2	38 - 02
			15	WPAI	L1 v L2	THA	Thailand	Vs	CHI	China	C3	13 - 13
			16	WPAI	L3 v L4	BRU	Brunei	Vs	JAP	Japan	C4	14 - 15
			17	WPAI	L5 v L6	PHI	Philippines	Vs	PAK	Pakistan	C5	53 - 01
		W T R I	18	WPAI	M5 v M6	SIN	Singapore	Vs	SLK	Sri Lanka	D2	27 - 03
			19	WTRI	P3 v P4	BRU	Brunei	Vs	JAP	Japan	D3	12 - 12
			20	WTRI	P5 v P6	PHI	Philippines	Vs	PAK	Pakistan	D1	44 - 05
			21	WTRI	Q1 v Q2	CHI	China	Vs	IND	India	D4	08 - 20
			22	WTRI	Q5 v Q6	SIN	Singapore	Vs	SLK	Sri Lanka	D5	31 - 07
2	2.30 pm Round	M F O U	23	MFOU	G1 v G3	MAS	Malaysia	Vs	BRU	Brunei	A2	32 - 05
			24	MFOU	G2 v G5	HKG	Hong Kong	Vs	SIN	Singapore	A1	18 - 11
			25	MFOU	G4 v G6	UAE	UAE	Vs	SLK	Sri Lanka	A3	19 - 10
			26	MFOU	H1 v H3	CHI	China	Vs	JAP	Japan	A4	14 - 15
			27	MFOU	H2 v H5	IND	India	Vs	THA	Thailand	A6	19 - 09
			28	MFOU	H4 v H6	PHI	Philippines	Vs	PAK	Pakistan	A5	36 - 04
		W T R I	29	WTRI	P1 v P3	MAS	Malaysia	Vs	BRU	Brunei	B3	28 - 03
			30	WTRI	P2 v P5	THA	Thailand	Vs	PHI	Philippines	B2	16 - 16
			31	WTRI	P4 v P6	JAP	Japan	Vs	PAK	Pakistan	B1	30 - 07
			32	WTRI	Q1 v Q3	CHI	China	Vs	HKG	Hong Kong	B4	16 - 10
			33	WTRI	Q2 v Q5	IND	India	Vs	SIN	Singapore	B5	14 - 11
		M S I N	34	MSIN	A1 v A3	MAS	Malaysia	Vs	HKG	Hong Kong	C4	21 - 18
			35	MSIN	A2 v A5	UAE	UAE	Vs	SIN	Singapore	C6	15 - 21
			36	MSIN	A4 v A6	JAP	Japan	Vs	PAK	Pakistan	C5	21 - 08
			37	MSIN	B1 v B3	BRU	Brunei	Vs	IND	India	C3	18 - 21
			38	MSIN	B2 v B5	CHI	China	Vs	THA	Thailand	C1	21 - 13
			39	MSIN	B4 v B6	PHI	Philippines	Vs	SLK	Sri Lanka	C2	21 - 03
		W P A I	40	WPAI	L1 v L3	THA	Thailand	Vs	BRU	Brunei	D1	21 - 09
41	WPAI		L2 v L5	CHI	China	Vs	PHI	Philippines	D3	08 - 20		
42	WPAI		L4 v L6	JAP	Japan	Vs	PAK	Pakistan	D2	17 - 10		
43	WPAI		M1 v M3	MAS	Malaysia	Vs	HKG	Hong Kong	D5	13 - 16		
44	WPAI		M2 v M5	IND	India	Vs	SIN	Singapore	D4	13 - 12		



9th Asian Lawn Bowls Championships 2012

7th Asian Singles Under 25

Bukit Kiara, Kuala Lumpur
6 - 11 April 2012



Tarikh	Masa	Bil.	Acara	Format	Perlawanan				Rink	Results		
06-Apr Fri	5.00 pm Round	W T R I	45	WTRI	P1 v P5	MAS	Malaysia	Vs	PHI	Philippines	A3	24 - 04
			46	WTRI	P2 v P4	THA	Thailand	Vs	JAP	Japan	A2	17 - 08
			47	WTRI	P3 v P6	BRU	Brunei	Vs	PAK	Pakistan	A1	31 - 07
			48	WTRI	Q1 v Q5	CHI	China	Vs	SIN	Singapore	A6	14 - 17
			49	WTRI	Q3 v Q6	HKG	Hong Kong	Vs	SLK	Sri Lanka	A5	47 - 04
		W P A I	50	WPAI	L1 v L5	THA	Thailand	Vs	PHI	Philippines	B5	08 - 23
			51	WPAI	L2 v L4	CHI	China	Vs	JAP	Japan	B4	16 - 09
			52	WPAI	L3 v L6	BRU	Brunei	Vs	PAK	Pakistan	B3	13 - 08
			53	WPAI	M1 v M5	MAS	Malaysia	Vs	SIN	Singapore	B2	31 - 08
			54	WPAI	M3 v M6	HKG	Hong Kong	Vs	SLK	Sri Lanka	B1	32 - 01
		M F O U	55	MFOU	G1 v G5	MAS	Malaysia	Vs	SIN	Singapore	C4	17 - 06
			56	MFOU	G2 v G4	HKG	Hong Kong	Vs	UAE	UAE	C5	32 - 06
			57	MFOU	G3 v G6	BRU	Brunei	Vs	SLK	Sri Lanka	C6	39 - 07
			58	MFOU	H1 v H5	CHI	China	Vs	THA	Thailand	C1	10 - 14
			59	MFOU	H2 v H4	IND	India	Vs	PHI	Philippines	C2	13 - 14
			60	MFOU	H3 v H6	JAP	Japan	Vs	PAK	Pakistan	C3	34 - 03
		M S I N	61	MSIN	A1 v A5	MAS	Malaysia	Vs	SIN	Singapore	D3	21 - 15
			62	MSIN	A2 v A4	UAE	UAE	Vs	JAP	Japan	D2	08 - 21
			63	MSIN	A3 v A6	HKG	Hong Kong	Vs	PAK	Pakistan	D1	21 - 04
			64	MSIN	B1 v B5	BRU	Brunei	Vs	THA	Thailand	D6	21 - 19
65	MSIN		B2 v B4	CHI	China	Vs	PHI	Philippines	D5	21 - 10		
66	MSIN		B3 v B6	IND	India	Vs	SLK	Sri Lanka	D4	21 - 01		
07-Apr Sat	9.30 am Round	W P A I	67	WPAI	L1 v L4	THA	Thailand	Vs	JAP	Japan	A1	23 - 05
			68	WPAI	L2 v L6	CHI	China	Vs	PAK	Pakistan	A2	34 - 05
			69	WPAI	L3 v L5	BRU	Brunei	Vs	PHI	Philippines	A3	06 - 21
			70	WPAI	M2 v M6	IND	India	Vs	SLK	Sri Lanka	A4	33 - 04
			71	WPAI	M3 v M5	HKG	Hong Kong	Vs	SIN	Singapore	A5	21 - 05
		M S I N	72	MSIN	A1 v A4	MAS	Malaysia	Vs	JAP	Japan	B3	21 - 05
			73	MSIN	A2 v A6	UAE	UAE	Vs	PAK	Pakistan	B2	21 - 07
			74	MSIN	A3 v A5	HKG	Hong Kong	Vs	SIN	Singapore	B1	21 - 11
			75	MSIN	B1 v B4	BRU	Brunei	Vs	PHI	Philippines	B6	15 - 21
			76	MSIN	B2 v B6	CHI	China	Vs	SLK	Sri Lanka	B5	21 - 00
			77	MSIN	B3 v B5	IND	India	Vs	THA	Thailand	B4	21 - 11
		W T R I	78	WTRI	P1 v P4	MAS	Malaysia	Vs	JAP	Japan	C4	24 - 14
			79	WTRI	P2 v P6	THA	Thailand	Vs	PAK	Pakistan	C5	33 - 06
			80	WTRI	P3 v P5	BRU	Brunei	Vs	PHI	Philippines	C6	08 - 23
			81	WTRI	Q2 v Q6	IND	India	Vs	SLK	Sri Lanka	C3	36 - 07
			82	WTRI	Q3 v Q5	HKG	Hong Kong	Vs	SIN	Singapore	C2	16 - 10
		M F O U	83	MFOU	G1 v G4	MAS	Malaysia	Vs	UAE	UAE	D3	37 - 02
			84	MFOU	G2 v G6	HKG	Hong Kong	Vs	SLK	Sri Lanka	D2	28 - 04
85	MFOU		G3 v G5	BRU	Brunei	Vs	SIN	Singapore	D1	15 - 13		
86	MFOU		H1 v H4	CHI	China	Vs	PHI	Philippines	D6	14 - 15		
87	MFOU		H2 v H6	IND	India	Vs	PAK	Pakistan	D5	24 - 06		
88	MFOU		H3 v H5	JAP	Japan	Vs	THA	Thailand	D4	08 - 19		



9th Asian Lawn Bowls Championships 2012

7th Asian Singles Under 25

Bukit Kiara, Kuala Lumpur
6 - 11 April 2012



Tarikh	Masa	Bil.	Acara	Format	Perlawanan				Rink	Results			
07-Apr Sat	1.00 pm Round	M S I N	89	MSIN	A1 v A6	MAS	Malaysia	Vs	PAK	Pakistan	A3	21 - 06	
			90	MSIN	A2 v A3	UAE	UAE	Vs	HKG	Hong Kong	A2	11 - 21	
			91	MSIN	A4 v A5	JAP	Japan	Vs	SIN	Singapore	A1	21 - 13	
			92	MSIN	B1 v B6	BRU	Brunei	Vs	SLK	Sri Lanka	A6	21 - 03	
			93	MSIN	B2 v B3	CHI	China	Vs	IND	India	A5	21 - 14	
		94	MSIN	B4 v B5	PHI	Philippines	Vs	THA	Thailand	A4	21 - 20		
		M F O U	95	MFOU	G1 v G6	MAS	Malaysia	Vs	SLK	Sri Lanka	B4	22 - 08	
			96	MFOU	G2 v G3	HKG	Hong Kong	Vs	BRU	Brunei	B5	31 - 02	
			97	MFOU	G4 v G5	UAE	UAE	Vs	SIN	Singapore	B6	14 - 14	
			98	MFOU	H1 v H6	CHI	China	Vs	PAK	Pakistan	B1	28 - 04	
	99		MFOU	H2 v H3	IND	India	Vs	JAP	Japan	B2	19 - 04		
	100	MFOU	H4 v H5	PHI	Philippines	Vs	THA	Thailand	B3	16 - 11			
	W P A I	101	WPAI	L1 v L6	THA	Thailand	Vs	PAK	Pakistan	C1	22 - 12		
		102	WPAI	L2 v L3	CHI	China	Vs	BRU	Brunei	C2	18 - 09		
		103	WPAI	L4 v L5	JAP	Japan	Vs	PHI	Philippines	C3	08 - 23		
		104	WPAI	M1 v M6	MAS	Malaysia	Vs	SLK	Sri Lanka	C4	33 - 06		
		105	WPAI	M2 v M3	IND	India	Vs	HKG	Hong Kong	C5	15 - 09		
	W T R I	106	WTRI	P1 v P6	MAS	Malaysia	Vs	PAK	Pakistan	D2	36 - 04		
		107	WTRI	P2 v P3	THA	Thailand	Vs	BRU	Brunei	D3	23 - 05		
		108	WTRI	P4 v P5	JAP	Japan	Vs	PHI	Philippines	D1	09 - 15		
109		WTRI	Q1 v Q6	CHI	China	Vs	SLK	Sri Lanka	D4	32 - 11			
110		WTRI	Q2 v Q3	IND	India	Vs	HKG	Hong Kong	D5	19 - 13			
3.30 pm Round	6	U N D E R	111	MSIN	T1 v T2	MAS	Hizlee Rais	Vs	PHI	Rodel Labayo	C3	21 - 15	
			112	MSIN	T3 v T4	HKG	James Po	Vs	IND	Prince Kumar	C2	12 - 21	
			113	MSIN	T5 v T6	BRU	Wafiuddin Mustapa	Vs	SLK	Omar Hassen	C1	21 - 08	
			114	MSIN	V1 v V2	MAS	Syamil Syazwan	Vs	MAS	Fairus Jabal	C4	21 - 19	
			115	MSIN	V3 v V4	HKG	Desmond Hau	Vs	IND	Lalit Singh	C5	18 - 21	
		116	MSIN	V5 v V6	BRU	Fatthul Hamzi Jaman	Vs	SLK	Prakash Moorthy	C6	21 - 09		
		2 5	117	WSIN	X1 v X2	MAS	Norehawani Daud	Vs	MAS	Adik Nabillah	D2	21 - 11	
			118	WSIN	X3 v X4	HKG	Crystal Li	Vs	IND	Nayan Moni Saika	D4	13 - 21	
			119	WSIN	Y1 v Y2	MAS	Noor Zafirah	Vs	PAK	Mariam Malek	D3	21 - 01	
			120	WSIN	Y3 v Y4	HKG	Andrea Chan	Vs	IND	Tania Choudhary	D5	13 - 21	
08-Apr Sun	9.30 am Round		S / F P L A Y O F F	121	MSIN	D1 v D2	JAP	Japan	Vs	PHI	Philippines	A5	12 - 21
122		MSIN		D3 v D4	HKG	Hong Kong	Vs	IND	India	A4	10 - 21		
123		MFOU		D1 v D2	BRU	Brunei	Vs	MAL	Malaysia	A3	11 - 16		
124		MFOU		D3 v D4	IND	India	Vs	THA	Thailand	A2	08 - 17		
125		WPAI		D1 v D2	MAL	Malaysia	Vs	CHI	China	C2	11 - 07		
126		WPAI		D3 v D4	THA	Thailand	Vs	HKG	Hong Kong	C3	10 - 11		
127		WTRI		D1 v D2	HKG	Hong Kong	Vs	PHI	Philippines	C4	14 - 15		
128		WTRI		D3 v D4	THA	Thailand	Vs	SIN	Singapore	C5	15 - 11		
7		U N D E R	129	MSIN	T1 v T3	MAS	Hizlee Rais	Vs	HKG	James Po	B3	21 - 09	
			130	MSIN	T2 v T5	PHI	Rodel Labayo	Vs	BRU	Wafiuddin Mustapa	B2	21 - 11	
			131	MSIN	T4 v T6	IND	Prince Kumar	Vs	SLK	Omar Hassen	B1	21 - 06	
			132	MSIN	V1 v V3	MAS	Syamil Syazwan	Vs	HKG	Desmond Hau	B6	21 - 07	
			133	MSIN	V2 v V5	MAS	Fairus Jabal	Vs	BRU	Fatthul Hamzi Jaman	B5	21 - 10	
			134	MSIN	V4 v V6	IND	Lalit Singh	Vs	SLK	Prakash Moorthy	B4	21 - 08	
			2 5	135	WSIN	X1 v X3	MAS	Norehawani Daud	Vs	HKG	Crystal Li	D2	21 - 12
				136	WSIN	X2 v X5	MAS	Adik Nabillah	Vs	SLK	Mariam Hassen	D3	21 - 02
				137	WSIN	Y1 v Y3	MAS	Noor Zafirah	Vs	HKG	Andrea Chan	D4	21 - 05
				138	WSIN	Y2 v Y5	PAK	Mariam Malek	Vs	SLK	Zoraya Samdin	D5	21 - 20



9th Asian Lawn Bowls Championships 2012

7th Asian Singles Under 25

Bukit Kiara, Kuala Lumpur
6 - 11 April 2012



Tarikh	Masa		Bil.	Acara	Format	Perlawanan				Rink	Results			
08-Apr Sun	1.00 pm Round	S E M I F I N A L	139	MSIN	WA v W121	MAS	Malaysia	Vs	PHI	Philippines	C2	18 - 21		
			140	MSIN	W122 v WB	IND	India	Vs	CHI	China	C3	21 - 05		
			141	MFOU	WG v W123	HKG	Hong Kong	Vs	MAL	Malaysia	C4	15 - 16		
			142	MFOU	W124 v WH	THA	Thailand	Vs	PHI	Philippines	C5	05 - 21		
			143	WPAI	WL v W125	PHI	Philippines	Vs	MAL	Malaysia	A4	10 - 14		
			144	WPAI	W126 v WM	HKG	Hong Kong	Vs	IND	India	A5	07 - 14		
			145	WTRI	WP v W127	MAS	Malaysia	Vs	PHI	Philippines	A3	09 - 18		
			146	WTRI	W128 v WQ	THA	Thailand	Vs	IND	India	A2	06 - 20		
		8	U N D E R	2 5	147	MSIN	T1 v T5	MAS	Hizlee Rais	Vs	BRU	Wafiuiddin Mustapa	D3	21 - 10
					148	MSIN	T2 v T4	PHI	Rodel Labayo	Vs	IND	Prince Kumar	D2	21 - 11
					149	MSIN	T3 v T6	HKG	James Po	Vs	SLK	Omar Hassen	D1	21 - 06
					150	MSIN	V1 v V5	MAS	Syamil Syazwan	Vs	BRU	Fatthul Hamzi Jaman	D6	21 - 06
					151	MSIN	V2 v V4	MAS	Fairus Jabal	Vs	IND	Lalit Singh	D5	21 - 10
					152	MSIN	V3 v V6	HKG	Desmond Hau	Vs	SLK	Prakash Moorthy	D4	21 - 11
					153	WSIN	X1 v X5	MAS	Norehawani Daud	Vs	SLK	Mariam Hassen	B5	21 - 04
					154	WSIN	X2 v X4	MAS	Adik Nabillah	Vs	IND	Nayan Moni Saika	B4	14 - 21
	9	3.30 pm Round	F I N A L	157	MSIN	W139 v W140	PHI	Philippines	Vs	IND	India	A3	10 - 21	
				158	WPAI	W143 v W144	MAL	Malaysia	Vs	IND	India	A2	16 - 08	
				159	WTRI	W145 v W146	PHI	Philippines	Vs	IND	India	A4	22 - 05	
				160	MFOU	W141 v W142	MAL	Malaysia	Vs	PHI	Philippines	A5	09 - 12	
2 5		U N D E R	2 5	161	MSIN	T1 v T4	MAS	Hizlee Rais	Vs	IND	Prince Kumar	C4	21 - 06	
				162	MSIN	T2 v T6	PHI	Rodel Labayo	Vs	SLK	Omar Hassen	C5	21 - 02	
				163	MSIN	T3 v T5	HKG	James Po	Vs	BRU	Wafiuiddin Mustapa	C6	21 - 19	
				164	MSIN	V1 v V4	MAS	Syamil Syazwan	Vs	IND	Lalit Singh	C1	21 - 11	
				165	MSIN	V2 v V6	MAS	Fairus Jabal	Vs	SLK	Prakash Moorthy	C2	21 - 01	
				166	MSIN	V3 v V5	HKG	Desmond Hau	Vs	BRU	Fatthul Hamzi Jaman	C3	21 - 13	
				167	WSIN	X1 v X4	MAS	Norehawani Daud	Vs	IND	Nayan Moni Saika	D3	21 - 19	
				168	WSIN	X3 v X5	HKG	Crystal Li	Vs	SLK	Mariam Hassen	D2	21 - 00	
				169	WSIN	Y1 v Y4	MAS	Noor Zafirah	Vs	IND	Tania Choudhary	D5	11 - 21	
				170	WSIN	Y3 v Y5	HKG	Andrea Chan	Vs	SLK	Zoraya Samdin	D4	21 - 09	
09-Apr Mon	9.30 am Round	M P A I	171	MPAI	C1 v C2	MAS	Malaysia	Vs	IND	India	A3	11 - 13		
			172	MPAI	C3 v C4	BRU	Brunei	Vs	JAP	Japan	A2	14 - 19		
			173	MPAI	C5 v C6	PHI	Philippines	Vs	SLK	Sri Lanka	A1	32 - 02		
			174	MPAI	D1 v D2	HKG	Hong Kong	Vs	THA	Thailand	A6	10 - 15		
			175	MPAI	D3 v D4	CHI	China	Vs	UAE	UAE	A5	16 - 10		
			176	MPAI	D5 v D6	SIN	Singapore	Vs	PAK	Pakistan	A4	19 - 11		
		10 CONT..	U 2 5	B O Y S	177	MSIN	T1 v T6	MAS	Hizlee Rais	Vs	SLK	Omar Hassen	B3	21 - 07
					178	MSIN	T2 v T3	PHI	Rodel Labayo	Vs	HKG	James Po	B2	20 - 21
					179	MSIN	T4 v T5	IND	Prince Kumar	Vs	BRU	Wafiuiddin Mustapa	B1	21 - 05
					180	MSIN	V1 v V6	MAS	Syamil Syazwan	Vs	SLK	Prakash Moorthy	B6	21 - 01
					181	MSIN	V2 v V3	MAS	Fairus Jabal	Vs	HKG	Desmond Hau	B5	21 - 11
					182	MSIN	V4 v V5	IND	Lalit Singh	Vs	BRU	Fatthul Hamzi Jaman	B4	21 - 02



9th Asian Lawn Bowls Championships 2012

7th Asian Singles Under 25

Bukit Kiara, Kuala Lumpur
6 - 11 April 2012



Tarikh	Masa	Bil.	Acara	Format	Perlawanan				Rink	Results			
09-Apr Mon	9.30 am Round	M T R I	183	MTRI	E1 v E2	MAS	Malaysia	Vs	IND	India	C3	09 - 19	
			184	MTRI	E3 v E4	CHI	China	Vs	UAE	UAE	C2	26 - 08	
			185	MTRI	E5 v E6	THA	Thailand	Vs	PAK	Pakistan	C1	30 - 06	
			186	MTRI	F1 v F2	BRU	Brunei	Vs	SIN	Singapore	C6	12 - 12	
			187	MTRI	F3 v F4	HKG	Hong kong	Vs	JAP	Japan	C5	18 - 08	
			188	MTRI	F5 v F6	PHI	Philippines	Vs	SLK	Sri Lanka	C4	28 - 03	
		W S I N	189	WSIN	J1 v J2	MAS	Malaysia	Vs	IND	India	D3	21 - 18	
			190	WSIN	J3 v J4	BRU	Brunei	Vs	JAP	Japan	D2	14 - 21	
			191	WSIN	J5 v J6	PHI	Philippines	Vs	SLK	Sri Lanka	D1	21 - 06	
			192	WSIN	K1 v K2	HKG	Hong Kong	Vs	THA	Thailand	D6	21 - 08	
			193	WSIN	K5 v K6	SIN	Singapore	Vs	PAK	Pakistan	D5	21 - 05	
			W F O U	194	WFOU	R1 v R2	IND	India	Vs	SIN	Singapore	E1	30 - 03
		195		WFOU	R3 v R4	BRU	Brunei	Vs	HKG	Hong Kong	E2	12 - 16	
		196		WFOU	S1 v S2	MAS	Malaysia	Vs	THA	Thailand	E3	08 - 15	
		197		WFOU	S3 v S4	CHI	China	Vs	JAP	Japan	E4	19 - 10	
		198		WFOU	S5 v S6	PHI	Philippines	Vs	PAK	Pakistan	E5	48 - 04	
		1.00 pm Round		W F O U	199	WFOU	R1 v R3	IND	India	Vs	BRU	Brunei	A1
			200		WFOU	R4 v R6	HKG	Hong Kong	Vs	SLK	Sri Lanka	A2	31 - 04
	201		WFOU		S1 v S3	MAS	Malaysia	Vs	CHI	China	A3	17 - 11	
	202		WFOU		S2 v S5	THA	Thailand	Vs	PHI	Philippines	A4	15 - 17	
	203		WFOU		S4 v S6	JAP	Japan	Vs	PAK	Pakistan	A5	07 - 00	
	U 2 5 G I R L S		204	WSIN	Y2 v Y3	PAK	Mariam Malek	Vs	HKG	Andrea Chan	B2	08 - 21	
		205	WSIN	Y4 v Y5	IND	Tania Choudhary	Vs	SLK	Zoraya Samdin	B3	21 - 00		
		206	WSIN	X2 v X3	MAS	Adik Nabillah	Vs	HKG	Crystal Li	B4	13 - 21		
207		WSIN	X4 v X5	IND	Nayan Moni Saika	Vs	SLK	Mariam Hassen	B5	21 - 05			
M P A I		208	MPAI	C1 v C3	MAS	Malaysia	Vs	BRU	Brunei	C1	24 - 08		
	209	MPAI	C2 v C5	IND	India	Vs	PHI	Philippines	C2	12 - 17			
	210	MPAI	C4 v C6	JAP	Japan	Vs	SLK	Sri Lanka	C3	30 - 09			
	211	MPAI	D1 v D3	HKG	Hong Kong	Vs	CHI	China	C4	14 - 12			
	212	MPAI	D2 v D5	THA	Thailand	Vs	SIN	Singapore	C5	16 - 12			
	213	MPAI	D4 v D6	UAE	UAE	Vs	PAK	Pakistan	C6	16 - 11			
M T R I	214	MTRI	E1 v E3	MAS	Malaysia	Vs	CHI	China	D1	21 - 08			
	215	MTRI	E2 v E5	IND	India	Vs	THA	Thailand	D2	06 - 19			
	216	MTRI	E4 v E6	UAE	UAE	Vs	PAK	Pakistan	D3	10 - 12			
	217	MTRI	F1 v F3	BRU	Brunei	Vs	HKG	Hong kong	D4	13 - 14			
	218	MTRI	F2 v F5	SIN	Singapore	Vs	PHI	Philippines	D5	08 - 24			
	219	MTRI	F4 v F6	JAP	Japan	Vs	SLK	Sri Lanka	D6	26 - 05			
W S I N	220	WSIN	J1 v J3	MAS	Malaysia	Vs	BRU	Brunei	E1	21 - 07			
	221	WSIN	J2 v J5	IND	India	Vs	PHI	Philippines	E2	16 - 21			
	222	WSIN	J4 v J6	JAP	Japan	Vs	SLK	Sri Lanka	E3	21 - 07			
	223	WSIN	K1 v K3	HKG	Hong Kong	Vs	CHI	China	E4	20 - 21			
	224	WSIN	K2 v K5	THA	Thailand	Vs	SIN	Singapore	E5	11 - 21			



9th Asian Lawn Bowls Championships 2012

7th Asian Singles Under 25

Bukit Kiara, Kuala Lumpur
6 - 11 April 2012



Tarikh	Masa		Bil.	Acara	Format	Perlawanan				Rink	Results			
09-Apr Mon	3.30 pm Round	M T R I	225	MTRI	E1 v E5	MAS	Malaysia	Vs	THA	Thailand	A4	21 - 07		
			226	MTRI	E2 v E4	IND	India	Vs	UAE	UAE	A6	30 - 04		
			227	MTRI	E3 v E6	CHI	China	Vs	PAK	Pakistan	A5	30 - 07		
			228	MTRI	F1 v F5	BRU	Brunei	Vs	PHI	Philippines	A2	05 - 23		
			229	MTRI	F2 v F4	SIN	Singapore	Vs	JAP	Japan	A1	22 - 11		
			230	MTRI	F3 v F6	HKG	Hong kong	Vs	SLK	Sri Lanka	A3	34 - 05		
		12		W S I N	231	WSIN	J1 v J5	MAS	Malaysia	Vs	PHI	Philippines	B4	21 - 16
					232	WSIN	J2 v J4	IND	India	Vs	JAP	Japan	B6	20 - 21
					233	WSIN	J3 v J6	BRU	Brunei	Vs	SLK	Sri Lanka	B5	21 - 13
					234	WSIN	K1 v K5	HKG	Hong Kong	Vs	SIN	Singapore	B2	21 - 06
					235	WSIN	K3 v K6	CHI	China	Vs	PAK	Pakistan	B3	21 - 08
				M P A I	236	MPAI	C1 v C5	MAS	Malaysia	Vs	PHI	Philippines	C4	12 - 09
					237	MPAI	C2 v C4	IND	India	Vs	JAP	Japan	C6	23 - 09
					238	MPAI	C3 v C6	BRU	Brunei	Vs	SLK	Sri Lanka	C5	37 - 03
					239	MPAI	D1 v D5	HKG	Hong Kong	Vs	SIN	Singapore	C2	13 - 13
					240	MPAI	D2 v D4	THA	Thailand	Vs	UAE	UAE	C1	23 - 10
		241	MPAI		D3 v D6	CHI	China	Vs	PAK	Pakistan	C3	25 - 06		
		W F O U	242	WFOU	R2 v R4	SIN	Singapore	Vs	HKG	Hong Kong	D4	14 - 18		
			243	WFOU	R3 v R6	BRU	Brunei	Vs	SLK	Sri Lanka	D6	13 - 10		
			244	WFOU	S1 v S5	MAS	Malaysia	Vs	PHI	Philippines	D5	17 - 14		
			245	WFOU	S2 v S4	THA	Thailand	Vs	JAP	Japan	D2	17 - 09		
			246	WFOU	S3 v S6	CHI	China	Vs	PAK	Pakistan	D3	43 - 02		
		10-Apr Tue	9.00 am Round	U 2 5	247	MSIN	D1 v D2	IND	Lalit Singh	Vs	MAS	Fairus Jabal	A2	11 - 21
					248	MSIN	D3 v D4	IND	Prince Kumar	Vs	PHI	Rodel Labayo	A3	20 - 21
					249	WSIN	D1 v D2	MAS	Noor Zafirah	Vs	HKG	Andrea Chan	A4	21 - 08
					250	WSIN	D3 v D4	IND	Nayan Moni Saika	Vs	HKG	Crystal Li	A5	21 - 18
M P A I	251			MPAI	C1 v C4	MAS	Malaysia	Vs	JAP	Japan	B5	15 - 08		
	252			MPAI	C2 v C6	IND	India	Vs	SLK	Sri Lanka	B6	39 - 04		
	253			MPAI	C3 v C5	BRU	Brunei	Vs	PHI	Philippines	B4	03 - 19		
	254			MPAI	D1 v D4	HKG	Hong Kong	Vs	UAE	UAE	B3	16 - 14		
	255			MPAI	D2 v D6	THA	Thailand	Vs	PAK	Pakistan	B1	18 - 12		
	256			MPAI	D3 v D5	CHI	China	Vs	SIN	Singapore	B2	21 - 11		
M T R I	257			MTRI	E1 v E4	MAS	Malaysia	Vs	UAE	UAE	C5	38 - 03		
	258			MTRI	E2 v E6	IND	India	Vs	PAK	Pakistan	C6	40 - 05		
	259			MTRI	E3 v E5	CHI	China	Vs	THA	Thailand	C4	07 - 23		
	260			MTRI	F1 v F4	BRU	Brunei	Vs	JAP	Japan	C3	30 - 05		
	261			MTRI	F2 v F6	SIN	Singapore	Vs	SLK	Sri Lanka	C1	28 - 07		
	262			MTRI	F3 v F5	HKG	Hong kong	Vs	PHI	Philippines	C2	05 - 22		
W S I N	263			WSIN	J1 v J4	MAS	Malaysia	Vs	JAP	Japan	D2	21 - 05		
	264			WSIN	J2 v J6	IND	India	Vs	SLK	Sri Lanka	D3	21 - 06		
	265			WSIN	J3 v J5	BRU	Brunei	Vs	PHI	Philippines	D4	10 - 21		
	266			WSIN	K2 v K6	THA	Thailand	Vs	PAK	Pakistan	D5	21 - 06		
	267	WSIN	K3 v K5	CHI	China	Vs	SIN	Singapore	D6	06 - 21				
W F O U	268	WFOU	R1 v R4	IND	India	Vs	HKG	Hong Kong	E2	12 - 16				
	269	WFOU	R2 v R6	SIN	Singapore	Vs	SLK	Sri Lanka	E3	23 - 10				
	270	WFOU	S1 v S4	MAS	Malaysia	Vs	JAP	Japan	E4	12 - 10				
	271	WFOU	S2 v S6	THA	Thailand	Vs	PAK	Pakistan	E5	31 - 06				
	272	WFOU	S3 v S5	CHI	China	Vs	PHI	Philippines	E6	19 - 10				



9th Asian Lawn Bowls Championships 2012

7th Asian Singles Under 25

Bukit Kiara, Kuala Lumpur
6 - 11 April 2012



Tarikh	Masa		Bil.	Acara	Format	Perlawanan				Rink	Results		
10-Apr Tue	1.00 pm Round	U 2 5	273	MSIN	WT v W247	MAS	Hizlee Rais	Vs	MAS	Fairus Jabal	A5	07 - 21	
			274	MSIN	W248 v WV	PHI	Rodel Labayo	Vs	MAS	Syamil Syazwan	A4	13 - 21	
			275	WSIN	WX v W249	MAS	Norehawani Daud	Vs	MAS	Noor Zafirah	A3	21 - 10	
			276	WSIN	W250 v WY	IND	Nayan Moni Saika	Vs	IND	Tania Choudhary	A2	21 - 08	
	14	M T R I	277	MTRI	E1 v E6	MAS	Malaysia	Vs	PAK	Pakistan	B2	54 - 02	
			278	MTRI	E2 v E3	IND	India	Vs	CHI	China	B3	27 - 10	
			279	MTRI	E4 v E5	UAE	UAE	Vs	THA	Thailand	B1	03 - 50	
			280	MTRI	F1 v F6	BRU	Brunei	Vs	SLK	Sri Lanka	B6	16 - 07	
			281	MTRI	F2 v F3	SIN	Singapore	Vs	HKG	Hong kong	B4	08 - 16	
			282	MTRI	F4 v F5	JAP	Japan	Vs	PHI	Philippines	B5	06 - 15	
			283	WFOU	R1 v R6	IND	India	Vs	SLK	Sri Lanka	C1	23 - 05	
			284	WFOU	R2 v R3	SIN	Singapore	Vs	BRU	Brunei	C2	30 - 11	
		285	WFOU	S1 v S6	MAS	Malaysia	Vs	PAK	Pakistan	C3	38 - 06		
		286	WFOU	S2 v S3	THA	Thailand	Vs	CHI	China	C4	12 - 12		
		287	WFOU	S4 v S5	JAP	Japan	Vs	PHI	Philippines	C5	09 - 11		
		288	MPAI	C1 v C6	MAS	Malaysia	Vs	SLK	Sri Lanka	D2	36 - 02		
		289	MPAI	C2 v C3	IND	India	Vs	BRU	Brunei	D3	12 - 11		
		290	MPAI	C4 v C5	JAP	Japan	Vs	PHI	Philippines	D1	08 - 21		
		291	MPAI	D1 v D6	HKG	Hong Kong	Vs	PAK	Pakistan	D6	38 - 02		
		292	MPAI	D2 v D3	THA	Thailand	Vs	CHI	China	D5	12 - 13		
	293	MPAI	D4 v D5	UAE	UAE	Vs	SIN	Singapore	D4	07 - 19			
	294	WSIN	J1 v J6	MAS	Malaysia	Vs	SLK	Sri Lanka	E1	21 - 02			
	295	WSIN	J2 v J3	IND	India	Vs	BRU	Brunei	E2	21 - 09			
	296	WSIN	J4 v J5	JAP	Japan	Vs	PHI	Philippines	E3	16 - 21			
	297	WSIN	K1 v K6	HKG	Hong Kong	Vs	PAK	Pakistan	E4	21 - 07			
	298	WSIN	K2 v K3	THA	Thailand	Vs	CHI	China	E5	17 - 21			
	3.30 pm	U25	F I N	299	MSIN	W273 v W274	MAS	Fairus Jabal	Vs	MAS	Syamil Syazwan	A2	21 - 06
	300			WSIN	W275 v W276	MAS	Norehawani Daud	Vs	IND	Nayan Moni Saika	A4	06 - 21	
	SF PO	S / F	P L A Y O F F	301	MPAI	D1 v D2	IND	India	Vs	HKG	Hong Kong	C2	17 - 23
				302	MPAI	D3 v D4	THA	Thailand	Vs	MAS	Malaysia	C3	12 - 13
303				MTRI	D1 v D2	THA	Thailand	Vs	IND	India	C4	13 - 11	
304				MTRI	D3 v D4	HKG	Hong Kong	Vs	BRU	Brunei	C5	17 - 16	
305				WSIN	D1 v D2	CHI	China	Vs	JAP	Japan	D2	21 - 09	
306				WSIN	D3 v D4	SIN	Singapore	Vs	PHI	Philippines	D3	20 - 21	
307				WFOU	D1 v D2	THA	Thailand	Vs	SIN	Singapore	D4	15 - 13	
308				WFOU	D3 v D4	IND	India	Vs	CHI	China	D5	14 - 12	
11-Apr Wed	9.30 am Round	S E M I	309	MPAI	WC v W301	PHI	Philippines	Vs	HKG	Hong Kong	A4	26 - 06	
			310	MPAI	W302 v WD	MAS	Malaysia	Vs	CHI	China	A3	18 - 19	
			311	MTRI	WE v W303	MAS	Malaysia	Vs	THA	Thailand	A2	15 - 17	
			312	MTRI	W304 v WF	HKG	Hong Kong	Vs	PHI	Philippines	A5	12 - 13	
	S/F	F I N A L	313	WSIN	WJ v W305	MAS	Malaysia	Vs	CHI	China	C2	21 - 12	
			314	WSIN	W306 v WK	PHI	Philippines	Vs	HKG	Hong Kong	C5	21 - 10	
			315	WFOU	WR v W307	HKG	Hong Kong	Vs	THA	Thailand	C3	18 - 10	
			316	WFOU	W308 v WS	IND	India	Vs	MAS	Malaysia	C4	12 - 17	
	2.00 pm Round	F I N A L	317	MPAI	W309 v W310	PHI	Philippines	Vs	CHI	China	A4	15 - 08	
			318	MTRI	W311 v W312	THA	Thailand	Vs	PHI	Philippines	A5	14 - 11	
			319	WSIN	W313 v W314	MAS	Malaysia	Vs	PHI	Philippines	A2	21 - 19	
			320	WFOU	W315 v W316	HKG	Hong Kong	Vs	MAS	Malaysia	A3	16 - 07	

GROUPING

9TH ASIAN LAWN BOWLS CHAMPIONSHIPS
KUALA LUMPUR, MALAYSIA
6 TO 11 APRIL 2012

GROUPING - MEN

Singles			Pairs								
NO.	CTY	GROUP 'A'	NO.	CTY	GROUP 'B'	NO.	CTY	GROUP 'C'	NO.	CTY	GROUP 'D'
1	MAS	Malaysia	1	BRU	Brunei	1	MAS	Malaysia	1	HKG	Hong Kong
2	UAE	UAE	2	CHI	China	2	IND	India	2	THA	Thailand
3	HKG	Hong Kong	3	IND	India	3	BRU	Brunei	3	CHI	China
4	JAP	Japan	4	PHI	Philippines	4	JAP	Japan	4	UAE	UAE
5	SIN	Singapore	5	THA	Thailand	5	PHI	Philippines	5	SIN	Singapore
6	PAK	Pakistan	6	SLK	Sri Lanka	6	SLK	Sri Lanka	6	PAK	Pakistan

Triples			Fours								
NO.	CTY	GROUP 'E'	NO.	CTY	GROUP 'F'	NO.	CTY	GROUP 'G'	NO.	CTY	GROUP 'H'
1	MAS	Malaysia	1	BRU	Brunei	1	MAS	Malaysia	1	CHI	China
2	IND	India	2	SIN	Singapore	2	HKG	Hong Kong	2	IND	India
3	CHI	China	3	HKG	Hong kong	3	BRU	Brunei	3	JAP	Japan
4	UAE	UAE	4	JAP	Japan	4	UAE	UAE	4	PHI	Philippines
5	THA	Thailand	5	PHI	Philippines	5	SIN	Singapore	5	THA	Thailand
6	PAK	Pakistan	6	SLK	Sri Lanka	6	SLK	Sri Lanka	6	PAK	Pakistan

GROUPING - WOMEN

Singles			Pairs								
NO.	CTY	GROUP 'J'	NO.	CTY	GROUP 'K'	NO.	CTY	GROUP 'L'	NO.	CTY	GROUP 'M'
1	MAS	Malaysia	1	HKG	Hong Kong	1	THA	Thailand	1	MAS	Malaysia
2	IND	India	2	THA	Thailand	2	CHI	China	2	IND	India
3	BRU	Brunei	3	CHI	China	3	BRU	Brunei	3	HKG	Hong Kong
4	JAP	Japan	4	BYE	Bye	4	JAP	Japan	4	BYE	Bye
5	PHI	Philippines	5	SIN	Singapore	5	PHI	Philippines	5	SIN	Singapore
6	SLK	Sri Lanka	6	PAK	Pakistan	6	PAK	Pakistan	6	SLK	Sri Lanka

Triples			Fours								
NO.	CTY	GROUP 'P'	NO.	CTY	GROUP 'Q'	NO.	CTY	GROUP 'R'	NO.	CTY	GROUP 'S'
1	MAS	Malaysia	1	CHI	China	1	IND	India	1	MAS	Malaysia
2	THA	Thailand	2	IND	India	2	SIN	Singapore	2	THA	Thailand
3	BRU	Brunei	3	HKG	Hong Kong	3	BRU	Brunei	3	CHI	China
4	JAP	Japan	4	BYE	Bye	4	HKG	Hong Kong	4	JAP	Japan
5	PHI	Philippines	5	SIN	Singapore	5	BYE	Bye	5	PHI	Philippines
6	PAK	Pakistan	6	SLK	Sri Lanka	6	SLK	Sri Lanka	6	PAK	Pakistan

TEAM NAME

9th Asian Lawn Bowls Championship 2012

7th Asian Under 25 Championship

Bukit Kiara Lawn Bowls Complex

List of participants

NO.	COUNTRY	MANAGER	MEN	EVENT				WOMEN	EVENT			
				S	P	T	F		S	P	T	F
1	Brunei	Manager Jaman Awang Jamahat Coach Ampuan Ahad Kasim	Hj. Naim Brahim	√		√		Hjh Siti Norsalina Amelina Hj Salleh			√	√
			Hj Noorhadi Hj Mohammad			√	√	Hjh Ainna Ayuni Hj Md Yunus			√	√
			Md Israt Amiruddin Hj Abd Ghani		√		√	Nafsiah Jamal		√		√
			Sufri Mohin		√		√	Kartini Hj Abd Hamid	√		√	
			Hj Mohd Hafidzullah Haji Sani			√	√	Nurayuni Atiqah Md Yunus		√		√
			Wafiuddin Mustapa	√				Norsalina Amalina	√			
Fatthul Hamzi Jaman	√											
2	China	Manager Ye Sui Ying Coach Jacky Wong	Jacky Wong		√		√	Yu Xiao Yan	√	√		
			Ye Sui Ying		√		√	Huang Lin Hua			√	√
			Terence Lee	√		√		Chen Yan Fan			√	√
			Stephen Shea			√	√	Wu Feng Ping			√	√
			Esmond Lee			√	√	May Poon		√		√
3	Hong Kong	Manager Warren Kwok Queenie Lai Coach Walter Kwok	Danny Ho	√	√			Camilla Leung	√	√		
			Li Ming Sum		√		√	Joanna Nam		√		√
			Lee Ka Ho			√	√	Alice Lee			√	√
			Wilson Kwong			√	√	Jessie So			√	√
			Bernard Leung			√	√	Tammy Tham			√	√
		Rita Shek					Crystal Li	√				
Desmond Hau	√				Andrea Chan	√						
4	India	Manager/Coach M. K. Pathak	Sunil Bahadur	√		√		Lovely Choubey	√		√	
			Chandan Kr Singh			√	√	Pinki			√	√
			Dinesh Kumar			√	√	Farzana Khan			√	√
			Krishna Xalxo		√		√	Kavita Kumari		√		√
			Ruptu Gogoi		√		√	Manu Kumari Pal		√		√
		Prince Kumar Mahto	√				Nayan Moni Saika	√				
Lalit Singh	√				Tania Choudhury	√						
5	Japan	Manager Hirokazu Mori	Hirokazu Mori			√	√	Yoko Goda	√		√	
			Junji Goda		√		√	Masako Sato		√		√
			Hiroshi Abe			√	√	Noriko Maebayashi		√		√
			Ken Emura		√		√	Kazuko Saijo			√	√
			Hisaharu Sato	√		√		Hiroko Mori			√	√
6	UAE	Manager Zomai Khan Coach Aurang Zeb	Ali Akbar	√	√							
			Imtiaz Ali Khan		√		√					
			Rashid			√	√					
			Imran Ali			√	√					
			Zomia Imran			√	√					

9th Asian Lawn Bowls Championship 2012

7th Asian Under 25 Championship

Bukit Kiara Lawn Bowls Complex

List of participants

NO.	COUNTRY	MANAGER	MEN	EVENT				WOMEN	EVENT			
				S	P	T	F		S	P	T	F
7	Malaysia	Head Coach Dr. Simon Botha Coaches Zuraidi Puteh Sazeli Sani Mohd Ariifin Ghani	Safuan Said	√	√			Emma Firyana Saroji	√	√		
			Fairul Izwan Abd Muin		√		√	Maisarah Aminludin		√		√
			Mohammad Soufi Rusli			√	√	Azlina Arshad			√	√
			Muhammad Azwan Shuhami			√	√	Zuraini Khalid			√	√
			Khairul Anwar Abd Kadir			√	√	Auni Fatiah Kamis			√	√
			Mohamad Syamil Syazwan Ramli Mohamad Hizlee Abd rais Mohamad Fairus Abd Jabal	√				Noor Zafirah Mohd Noor Noorehawani Daud Adik Nabillah Mokhtar	√			
8	Pakistan	Manager Maqsood Waseem Coach Jamal Ahmed Shahbaz	Rana Maqsood Waseem	√	√			Khalid Bibi	√	√		
			Jamal Ahmad Shahbaz		√		√	Rizwana		√		√
			Ahmad Riaz			√	√	Fareeha Khan			√	√
			Ali Muhammad Sultan			√	√	Amber Fahid			√	√
			Fahad Rafid			√	√	Maryam Malik			√	√
9	Philippines	Manager Rey Samia	Angelo Morales			√	√	Rosita Bradborn	√	√		
			Hommer Mercado	√	√			Lorna 'Joy' Tordoff		√		√
			Christopher Dagpin		√		√	Marites 'Jaz' Rosas			√	√
			Ronald Lising			√	√	Hazel Jagonoy			√	√
			Edman Portacio			√	√	Nancy Brekinrege			√	√
			Rodel Labayo	√								
10	Singapore	Manager Lim Kwee Choon	Christian Huang	√	√			Mary Lim	√		√	
			Chue Tee Chiak		√		√	Margaret Lim			√	√
			James Ho			√	√	Jane Low			√	√
			Vincent Lim			√	√	Leng Li Li		√		√
			Michael Wu			√	√	Lim Kwee Choon		√		√
11	Sri Lanka	Manager Chamal Perera Triherne Gomez	Iqbal Hassen	√		√		G Sabrina Sithanparamoorthy	√		√	
			Susil Ramanayake		√		√	Amara Nanyakkara		√		√
			Leyaketally Tayabally		√		√	Krosha Jayasundera		√		√
			Hinantha Dewendra			√	√	Harshini Jayasundara			√	√
			Sanath Jayasundera			√	√	Samanthi Perera			√	√
		Deepal Abeysekera Omar Hassen Prakash Moorthy	√				Mariam Hassen Zoraya Samdin	√				
12	Thailand	Manager Dr. Wachit Rattanapian Narumon Osathanugrah	Tanongsak Klinsorn		√		√	Thong Omen		√		√
			Vinai Nilklum	√		√		Kesanee Wangsaopa	√		√	
			Thakrit Thamasarn		√		√	Orawan Sodok		√		√
			Anan Naksaray			√	√	Chamiporn Kotchawong			√	√
			Uthen Ontong			√	√	Pinthong Pearce			√	√

UNDER 25

DISCIPLINES
RESULTS



9th Asian Lawn Bowls Championships 2012

7th Asian Singles Under 25
Bukit Kiara, Kuala Lumpur
6 - 11 April 2012

DISCIPLINES RESULTS

UNDER 25

BOYS SINGLES



POSITION	TEAM	NAME
1 st	MALAYSIA	Mohamad Fairus Abd Jabal
2 nd	MALAYSIA	Mohamad Syamil Syazwan Ramli
3 rd	PHILIPPINES	Rodel Labayo
4 th	MALAYSIA	Mohamad Hizlee Abd rais

GIRLS SINGLES

POSITION	TEAM	NAME
1 st	INDIA	Nayan Moni Saika
2 nd	MALAYSIA	Noorehawani Daud
3 rd	MALAYSIA	Noor Zafirah Mohd Noor
4 th	INDIA	Tania Choudhury

2ND ROUND



Medal Competition
7th Asian Singles Under 25
BOYS SECTION
 Bukit Kiara, Kuala Lumpur
 6 - 11 April 2012

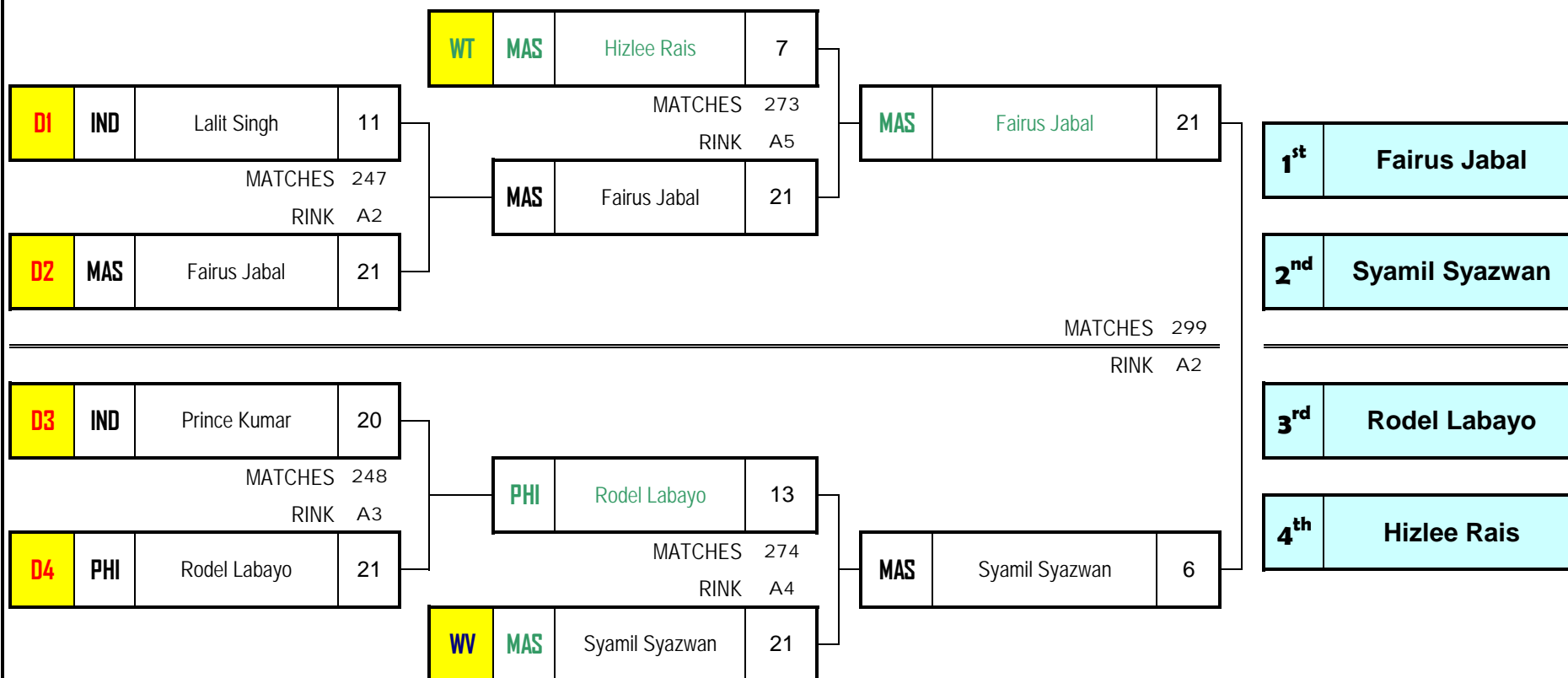


Semi Final Play Off
 10 Apr @ 9.30 am

Semi Final
 10 Apr @ 1.00 pm

FINAL
 10 Apr @ 3.30 pm

CHAMPIONS





Medal Competition
7th Asian Singles Under 25
GIRLS SECTION
 Bukit Kiara, Kuala Lumpur
 6 - 11 April 2012

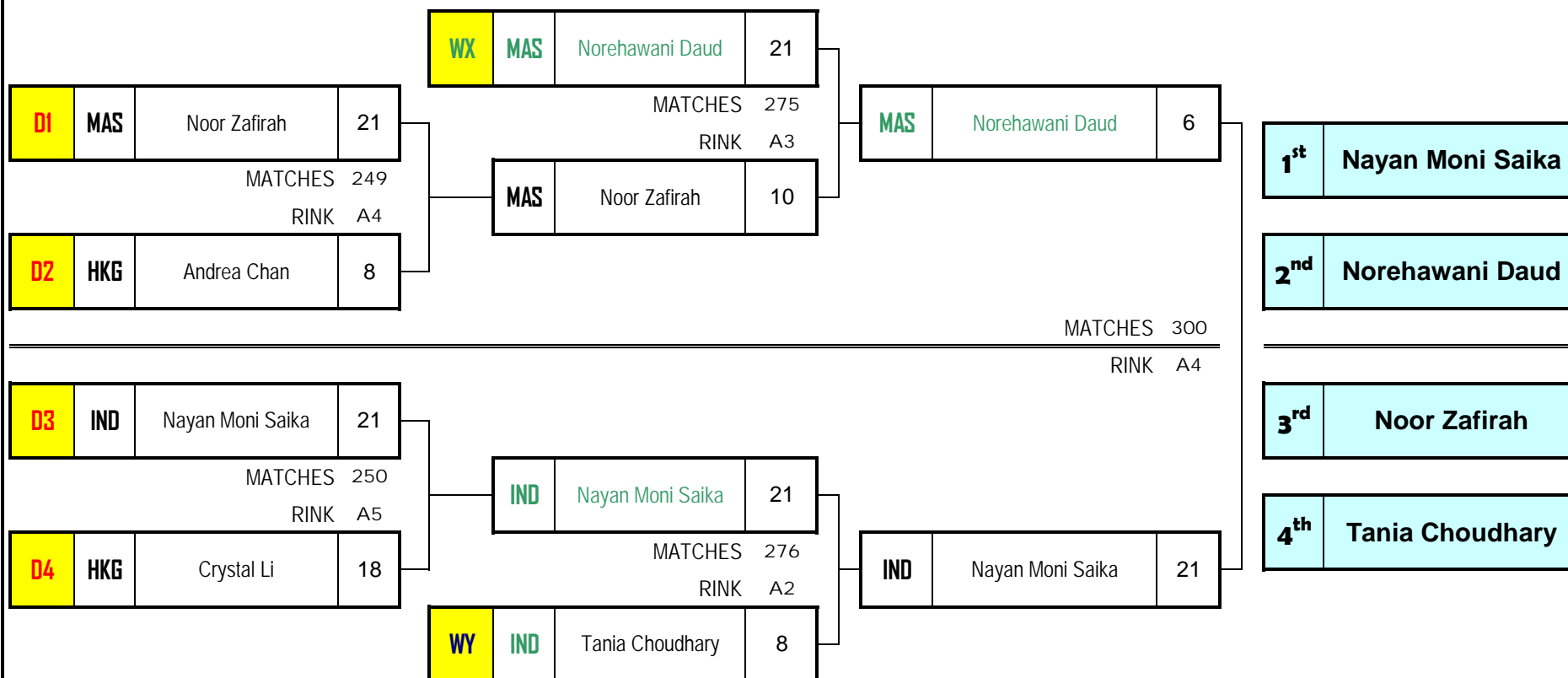


Semi Final Play Off
 10 Apr @ 9.30 am

Semi Final
 10 Apr @ 1.00 pm

FINAL
 10 Apr @ 3.30 pm

CHAMPIONS



***PROGRESSIVE
RESULTS***

9th ASIAN LAWN BOWLS CHAMPIONSHIPS

KUALA LUMPUR, MALAYSIA

PROGRESSIVE RESULTS

U
2
5

B
O
Y
S

S
I
N
G
L
E
S

BOYS SINGLES - GROUP 'T'													
TEAM			R 07-Apr	R 08-Apr	R 08-Apr	R 08-Apr	R 09-Apr	PROG				TEAM	
NUMBER			1 3.30 pm	2 9.30 am	3 1.00 pm	4 3.30 pm	5 9.30 am	F	A	M	P	RANKING	
T1	MAS	Mat	111 T1 - T2	129 T1 - T3	147 T1 - T5	161 T1 - T4	177 T1 - T6	105	47	58	10	1	
	Hizlee Rais	Rnk	C3 21 - 15	B3 21 - 9	D3 21 - 10	C4 21 - 6	B3 21 - 7						
	Pts	W 2 - 0	W 2 - 0	W 2 - 0	W 2 - 0	W 2 - 0							
T2	PHI	Mat	111 T2 - T1	130 T2 - T5	148 T2 - T4	162 T2 - T6	178 T2 - T3	98	66	32	6	2	
	Rodel Labayo	Rnk	C3 15 - 21	B2 21 - 11	D2 21 - 11	C5 21 - 2	B2 20 - 21						
	Pts	L 0 - 2	W 2 - 0	W 2 - 0	W 2 - 0	L 0 - 2							
T3	HKG	Mat	112 T3 - T4	129 T3 - T1	149 T3 - T6	163 T3 - T5	178 T3 - T2	84	87	-3	6	4	
	James Po	Rnk	C2 12 - 21	B3 9 - 21	D1 21 - 6	C6 21 - 19	B2 21 - 20						
	Pts	L 0 - 2	L 0 - 2	W 2 - 0	W 2 - 0	W 2 - 0							
T4	IND	Mat	112 T4 - T3	131 T4 - T6	148 T4 - T2	161 T4 - T1	179 T4 - T5	80	65	15	6	3	
	Prince Kumar	Rnk	C2 21 - 12	B1 21 - 6	D2 11 - 21	C4 6 - 21	B1 21 - 5						
	Pts	W 2 - 0	W 2 - 0	L 0 - 2	L 0 - 2	W 2 - 0							
T5	BRU	Mat	113 T5 - T6	130 T5 - T2	147 T5 - T1	163 T5 - T3	179 T5 - T4	66	92	-26	2	5	
	Wafiuddin Mustapa	Rnk	C1 21 - 8	B2 11 - 21	D3 10 - 21	C3 19 - 21	B1 5 - 21						
	Pts	W 2 - 0	L 0 - 2	L 0 - 2	L 0 - 2	L 0 - 2							
T6	SLK	Mat	113 T6 - T5	131 T6 - T4	149 T6 - T3	162 T6 - T2	177 T6 - T1	29	105	-76	0	6	
	Omar Hassen	Rnk	C1 8 - 21	B1 6 - 21	D1 6 - 21	W 2 - 21	B3 7 - 21						
	Pts	L 0 - 2	L 0 - 2	L 0 - 2	L 0 - 2	L 0 - 2							
								462	462	0	30		

BOYS SINGLES - GROUP 'V'													
TEAM			R 07-Apr	R 08-Apr	R 08-Apr	R 08-Apr	R 09-Apr	PROG				TEAM	
NUMBER			1 3.30 pm	2 9.30 am	3 1.00 pm	4 3.30 pm	5 1.00 pm	F	A	M	P	RANKING	
V1	MAS	Mat	114 V1 - V2	132 V1 - V3	150 V1 - V5	164 V1 - V4	180 V1 - V6	105	44	61	10	1	
	Syamil Syazwan	Rnk	C4 21 - 19	B6 21 - 7	D6 21 - 6	C1 21 - 11	B6 21 - 1						
	Pts	W 2 - 0	W 2 - 0	W 2 - 0	W 2 - 0	W 2 - 0							
V2	MAS	Mat	114 V2 - V1	133 V2 - V5	151 V2 - V4	165 V2 - V6	181 V2 - V3	103	53	50	8	2	
	Fairus Jabal	Rnk	C4 19 - 21	B5 21 - 10	D5 21 - 10	C2 21 - 1	B5 21 - 11						
	Pts	L 0 - 2	W 2 - 0	W 2 - 0	W 2 - 0	W 2 - 0							
V3	HKG	Mat	115 V3 - V4	132 V3 - V1	152 V3 - V6	166 V3 - V5	181 V3 - V2	78	87	-9	4	4	
	Desmond Hau	Rnk	C5 18 - 21	B6 7 - 21	D4 21 - 11	C3 21 - 13	B5 11 - 21						
	Pts	L 0 - 2	L 0 - 2	W 2 - 0	W 2 - 0	L 0 - 2							
V4	IND	Mat	115 V4 - V3	134 V4 - V6	151 V4 - V2	164 V4 - V1	182 V4 - V5	84	70	14	6	3	
	Lalit Singh	Rnk	C5 21 - 18	B4 21 - 8	D5 10 - 21	C1 11 - 21	B4 21 - 2						
	Pts	W 2 - 0	W 2 - 0	L 0 - 2	L 0 - 2	W 2 - 0							
V5	BRU	Mat	116 V5 - V6	133 V5 - V2	150 V5 - V1	166 V5 - V3	182 V5 - V4	52	93	-41	2	5	
	Fatthul Hamzi Jaman	Rnk	C6 21 - 9	B5 10 - 21	D6 6 - 21	C3 13 - 21	B4 2 - 21						
	Pts	W 2 - 0	L 0 - 2	L 0 - 2	L 0 - 2	L 0 - 2							
V6	SLK	Mat	116 V6 - V5	134 V6 - V4	152 V6 - V3	165 V6 - V2	180 V6 - V1	30	105	-75	0	6	
	Prakash Moorthy	Rnk	C6 9 - 21	B4 8 - 21	D4 11 - 21	C2 1 - 21	B6 1 - 21						
	Pts	L 0 - 2	L 0 - 2	L 0 - 2	L 0 - 2	L 0 - 2							
								452	452	0	30		

9th ASIAN LAWN BOWLS CHAMPIONSHIPS

KUALA LUMPUR, MALAYSIA

PROGRESSIVE RESULTS

U
2
5

G
I
R
L
S

S
I
N
G
L
E
S

GIRLS SINGLES - GROUP 'X'																						
TEAM NUMBER			R 06-Apr		R 06-Apr		R 06-Apr		R 07-Apr		R 07-Apr		PROG				TEAM RANKING					
			1	10.30 am	2	2.30 pm	3	5.00 pm	4	9.30 am	5	1.00 pm	F	A	M	P						
X1	MAS	Mat	117	X1 - X2	135	X1 - X3	153	X1 - X5	167	X1 - X4												
	Norehawani Daud	Rnk	<i>D2</i>	21 - 11	<i>D2</i>	21 - 12	<i>B5</i>	21 - 4	<i>D3</i>	21 - 19					84	46	38	8				1
		Pts	W	2 - 0	W	2 - 0	W	2 - 0	W	2 - 0												
X2	MAS	Mat	117	X2 - X1	136	X2 - X5	154	X2 - X4			206	X2 - X3										
	Adik Nabillah	Rnk	<i>D2</i>	11 - 21	<i>D3</i>	21 - 2	<i>B4</i>	14 - 21			<i>B4</i>	13 - 21			59	65	-6	2				4
		Pts	L	0 - 2	W	2 - 0	L	0 - 2			L	0 - 2										
X3	HKG	Mat	118	X3 - X4	135	X3 - X1			168	X3 - X5	206	X3 - X2										
	Crystal Li	Rnk	<i>D4</i>	13 - 21	<i>D2</i>	12 - 21			<i>D2</i>	21 - 0	<i>B4</i>	21 - 13			67	55	12	4				3
		Pts	L	0 - 2	L	0 - 2			W	2 - 0	W	2 - 0										
X4	IND	Mat	118	X4 - X3			154	X4 - X2	167	X4 - X1	207	X4 - X5										
	Nayan Moni Saika	Rnk	<i>D4</i>	21 - 13			<i>B4</i>	21 - 14	<i>D3</i>	19 - 21	<i>B5</i>	21 - 5			82	53	29	6				2
		Pts	W	2 - 0			W	2 - 0	L	0 - 2	W	2 - 0										
X5	SLK	Mat			136	X5 - X2	153	X5 - X1	168	X5 - X3	207	X5 - X4										
	Mariam Hassen	Rnk			<i>D3</i>	2 - 21	<i>B5</i>	4 - 21	<i>D2</i>	0 - 21	<i>B5</i>	5 - 21			11	84	-73	0				5
		Pts			L	0 - 2	L	0 - 2	L	0 - 2	L	0 - 2										
													303	303	0	20						

GIRLS SINGLES - GROUP 'Y'																						
TEAM NUMBER			R 06-Apr		R 06-Apr		R 06-Apr		R 07-Apr		R 07-Apr		PROG				TEAM RANKING					
			1	10.30 am	2	2.30 pm	3	5.00 pm	4	9.30 am	5	1.00 pm	F	A	M	P						
Y1	MAS	Mat	119	Y1 - Y2	137	Y1 - Y3	155	Y1 - Y5	169	Y1 - Y4												
	Noor Zafirah	Rnk	<i>D3</i>	21 - 1	<i>D4</i>	21 - 5	<i>B3</i>	21 - 0	<i>D5</i>	11 - 21					74	27	47	6				2
		Pts	W	2 - 0	W	2 - 0	W	2 - 0	L	0 - 2												
Y2	PAK	Mat	119	Y2 - Y1	138	Y2 - Y5	156	Y2 - Y4			204	Y2 - Y3										
	Mariam Malek	Rnk	<i>D3</i>	1 - 21	<i>D5</i>	21 - 20	<i>B2</i>	6 - 21			<i>B2</i>	8 - 21			36	83	-47	2				4
		Pts	L	0 - 2	W	2 - 0	L	0 - 2			L	0 - 2										
Y3	HKG	Mat	120	Y3 - Y4	137	Y3 - Y1			170	Y3 - Y5	204	Y3 - Y2										
	Andrea Chan	Rnk	<i>D5</i>	13 - 21	<i>D4</i>	5 - 21			<i>D4</i>	21 - 9	<i>B2</i>	21 - 8			60	59	1	4				3
		Pts	L	0 - 2	L	0 - 2			W	2 - 0	W	2 - 0										
Y4	IND	Mat	120	Y4 - Y3			156	Y4 - Y2	169	Y4 - Y1	205	Y4 - Y5										
	Tania Choudhary	Rnk	<i>D5</i>	21 - 13			<i>B2</i>	21 - 6	<i>D5</i>	21 - 11	<i>B3</i>	21 - 0			84	30	54	8				1
		Pts	W	2 - 0			W	2 - 0	W	2 - 0	W	2 - 0										
Y5	SLK	Mat			138	Y5 - Y2	155	Y5 - Y1	170	Y5 - Y3	205	Y5 - Y4										
	Zoraya Samdin	Rnk			<i>D5</i>	20 - 21	<i>B3</i>	0 - 21	<i>D4</i>	9 - 21	<i>B3</i>	0 - 21			29	84	-55	0				5
		Pts			L	0 - 2	L	0 - 2	L	0 - 2	L	0 - 2										
													283	283	0	20						



Medal Competition
7th Asian Singles Under 25
BOYS SECTION
 Bukit Kiara, Kuala Lumpur
 6 - 11 April 2012

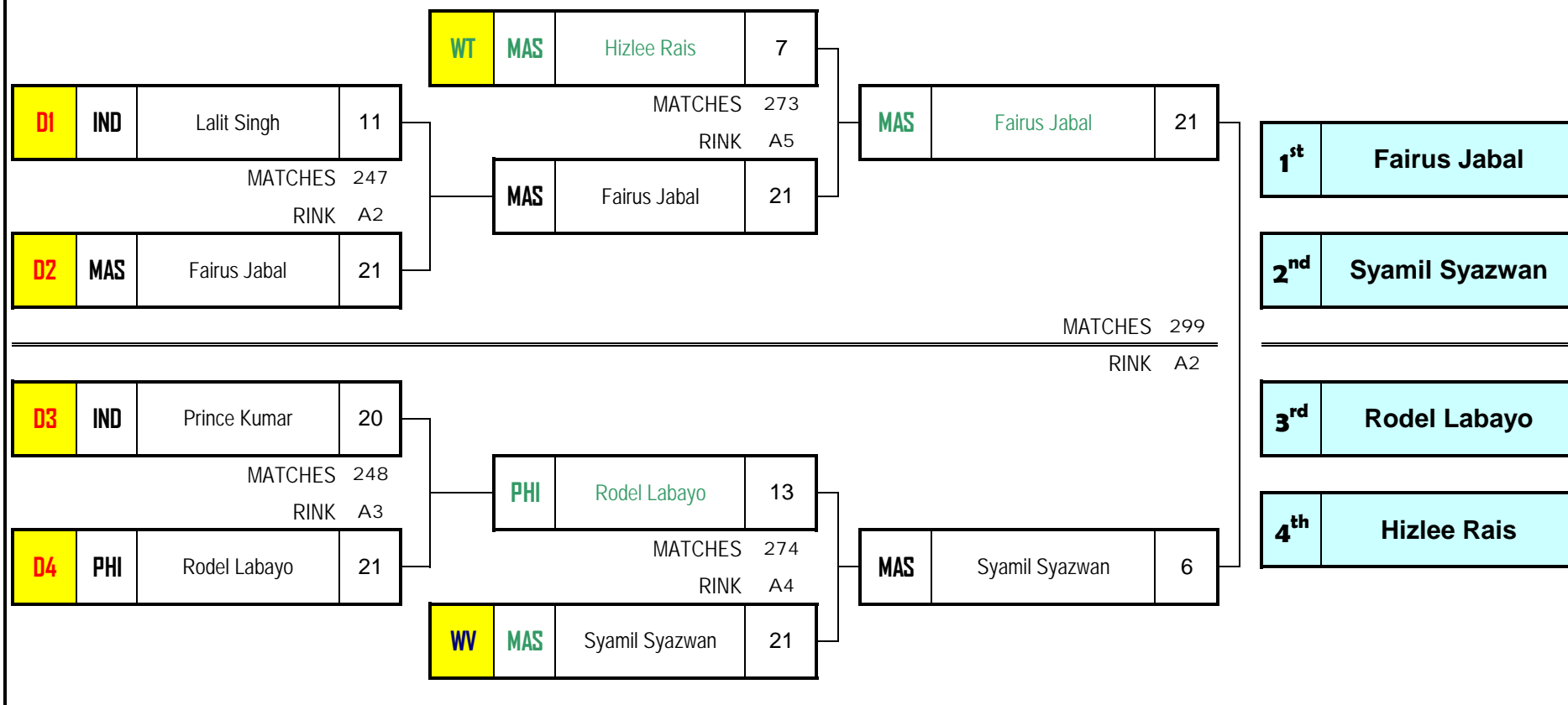


Semi Final Play Off
 10 Apr @ 9.30 am

Semi Final
 10 Apr @ 1.00 pm

FINAL
 10 Apr @ 3.30 pm

CHAMPIONS





Medal Competition
7th Asian Singles Under 25
GIRLS SECTION
 Bukit Kiara, Kuala Lumpur
 6 - 11 April 2012

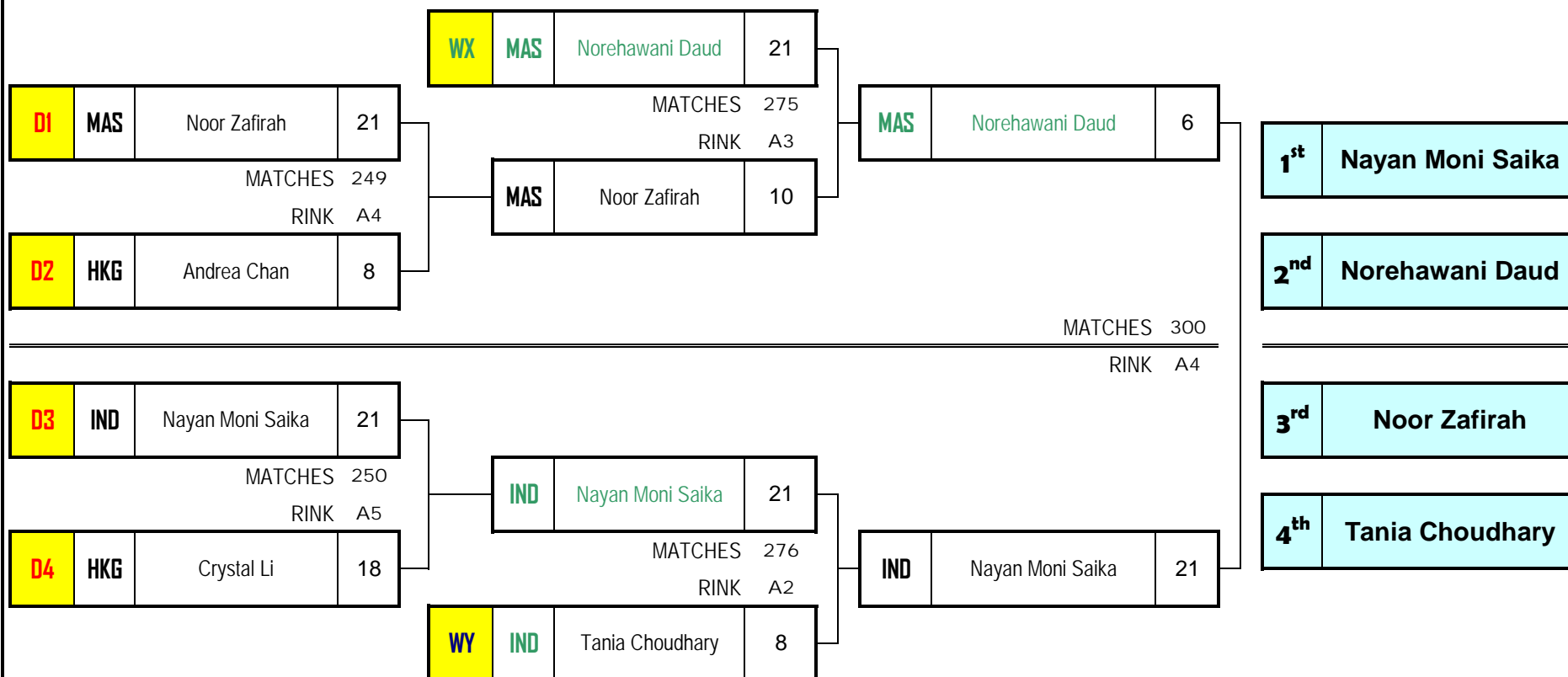


Semi Final Play Off
 10 Apr @ 9.30 am

Semi Final
 10 Apr @ 1.00 pm

FINAL
 10 Apr @ 3.30 pm

CHAMPIONS



GROUPING

7TH ASIAN SINGLES U25

KUALA LUMPUR, MALAYSIA

6 TO 11 APRIL 2012

GROUPING

Boy's Singles

NO.	CTY	GROUP 'T'	NO.	CTY	GROUP 'V'
1	MAS	Hizlee Rais	1	MAS	Syamil Syazwan
2	PHI	Rodel Labayo	2	MAS	Fairus Jabal
3	HKG	James Po	3	HKG	Desmond Hau
4	IND	Prince Kumar	4	IND	Lalit Singh
5	BRU	Wafiuddin Mustapa	5	BRU	Fatthul Hamzi Jaman
6	SLK	Omar Hassen	6	SLK	Prakash Moorthy

Girl's Singles

NO.	CTY	GROUP 'X'	NO.	CTY	GROUP 'Y'
1	MAS	Norehawani Daud	1	MAS	Noor Zafirah
2	MAS	Adik Nabillah	2	PAK	Mariam Malek
3	HKG	Crystal Li	3	HKG	Andrea Chan
4	IND	Nayan Moni Saika	4	IND	Tania Choudhary
5	SLK	Mariam Hassen	5	SLK	Zoraya Samdin